

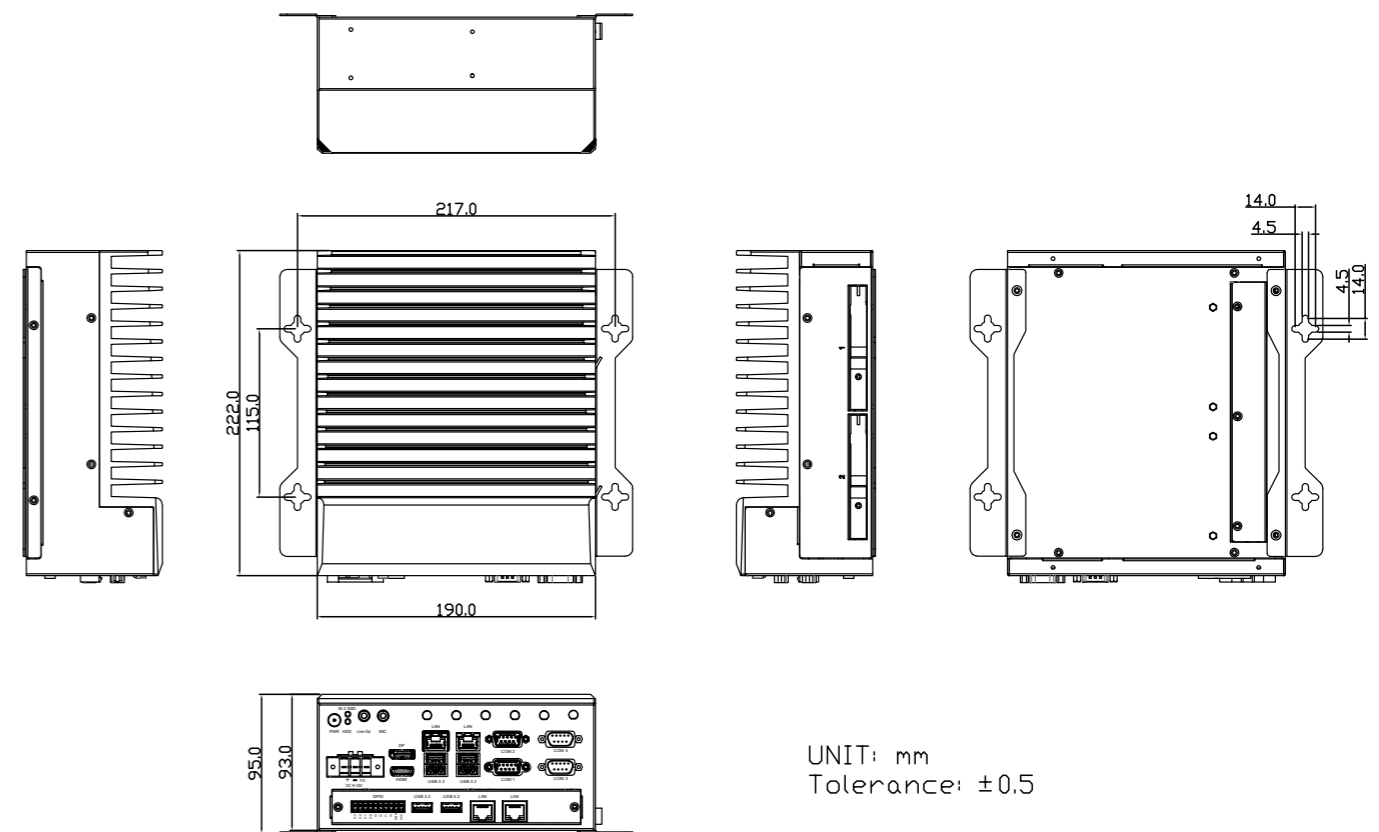
### Features

- Vertical System for Machine Vision
- Intel Core 13th/12th Gen i3/i5/i7/i9 Processors
- 2 x DDR5 4800MHz SO-DIMM, up to 64GB
- Toolless HDD Tray for easy data storage maintenance
- CPU(35W) Fan-less Design and Smart fan support for high-end CPU up to 65W (optional)
- Flexible expansion features through I/O module design with Mini PCIe add-on card support
- DC 9~32V Wide Range Power Input

### Specifications

System	
CPU	13th/12th Gen. Intel Core i3/i5/i7/i9 Processors
System Chipset	Intel Q670E
Memory	2 x 262-pin DDR5 (4800MHz) SO-DIMM Memory, up to 64GB (32GB per slot)
TPM	TPM 2.0
IO Port	
USB	4 x USB 3.2 Gen1 Type-A
Serial/Parallel	4 x RS-232/422/485 Selectable Default RS-232
DP	1 x DP++ 1.4A
Audio	1 x Line-out 3.5mm Phone Jack 1 x Mic-in 3.5mm Phone Jack
HDMI	1 x HDMI 2.1
LAN	2 x 2.5GbE LAN RJ-45 (i226LM, LAN1 Support vPro)
Power	1 x 3-pin DC Power Input via Terminal Block
Power Button	
Power Button	1 x Power Button with LED
LED Indicators	
LED Indicators	1 x M.2 SSD / 1 x 2.5" SATA
M.2 Expansion	
M.2	1 x M.2 2230 E-key for Wi-Fi / Bluetooth 1 x M.2 3042/3052 B-key, For 4G/5G, with onboard NANO SIM slot
Storage Space	
Storage	Default: 1 x M.2 M-key, 2280/2242 Option: 2 x 2.5" SATA3 HDD/SSD (Easy-swappable HDD tray), with RAID 0,1
Expansion	
Mini PCIe	1 x Full-size Mini PCIe
High Speed Expansion I/O	2 x USB 3.2 Gen1 Type-A 2 x GbE LAN RJ-45 (i210AT (from TB-619)) Isolated Digital I/O Terminal Block (10-pin, 4 x SI, 4 x SO, 1 x 24V input, 1 x GND)
Others	
Others	Watchdog Timer (256 steps) 6 x SMA for Wi-Fi and 4G LTE/ 5G/ GPS Antennas
Power	
Power Input	DC 9~32V
Mechanical	
Construction	Plating Titanium Gray Aluminum Heatsink and Black Steel Chassis
Mounting	Wall Mount (default) & DIN Rail Back Side (optional)
Dimensions	222 x 217 x 95 mm
Net Weight	3.9 kg

### Dimensions



UNIT: mm  
Tolerance: ±0.5

Environmental	
Operating Temperature	-20~60°C (for i3/i5 model) / -20~50°C (for i9/i7 model)
Storage Temperature	-40°C~85°C
Storage Humidity	10 to 90%@ 40°C, non-condensing
Certificate	Meet CE / FCC Class A

Operating System Support	
Windows 10 IoT LTSC / Windows 11 IoT / Ubuntu 22.04 (Linux Kernel 5.15)	

Ordering Information	
AVS-530QL	Fanless Box PC, 12/13th Gen. Intel Core i3/i5/i7/i9 (35W), 2 x SO-DIMM DDR 5 slot, up to 64GB (32GB per Slot), 1 x M.2 2280/2242 M-key slot, 2 x 2.5" SSD tray, 4 x COM, 2 x RJ45 2.5G LAN, 4 x USB 3.2, 1 x DP++, 1 x HDMI, 1 x Line in, 1 x Mic-in, 1 x M.2 2230 E-Key, 1 x M.2 3042/3052 B-key, 9~32 VDC power input w/o adaptor, Steel Chassis with Aluminum