

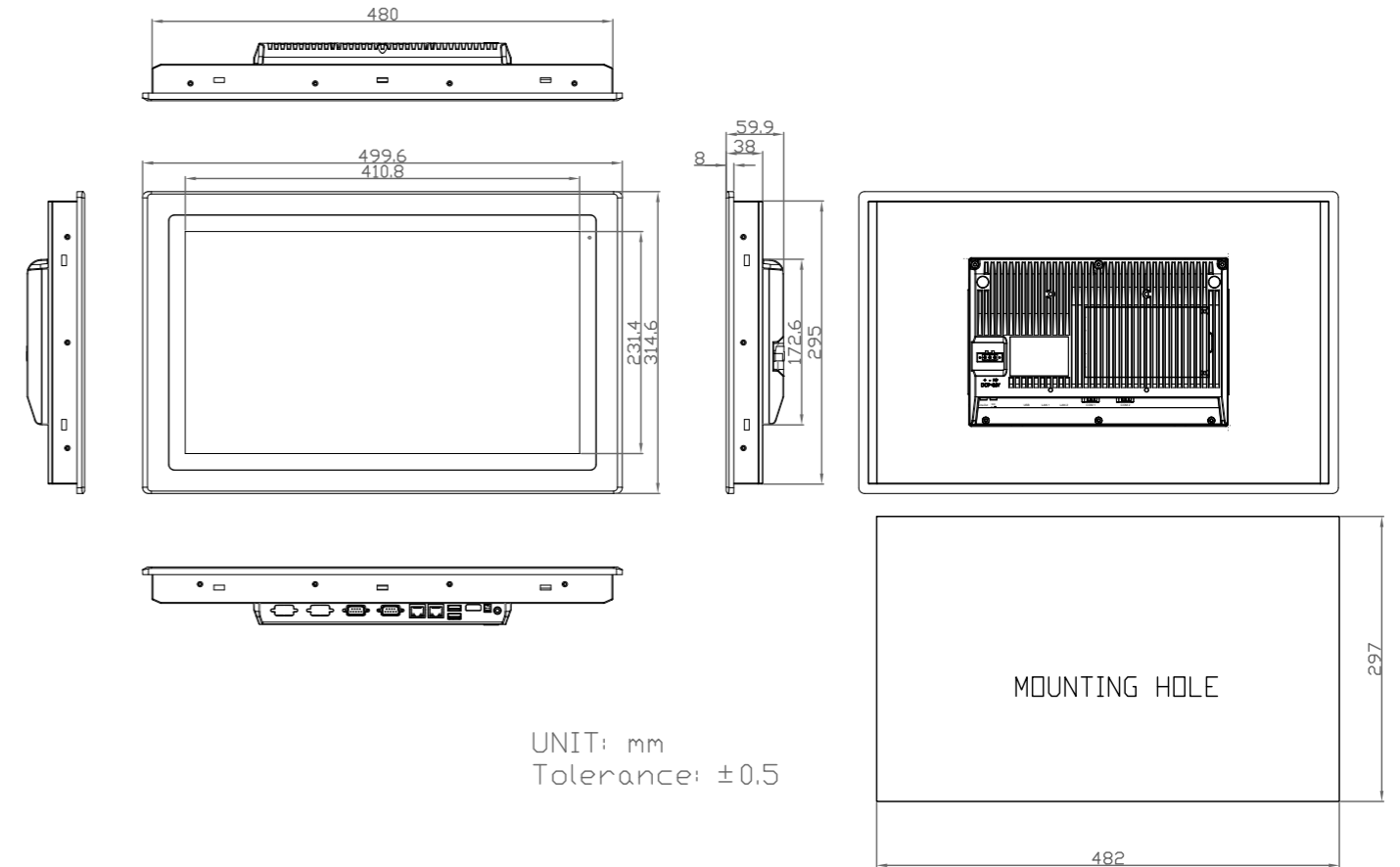
Features

- 18.5" Industrial Compact Size Panel PC
- Intel Celeron N2930(1.83GHz) CPU built-in / Atom E3845(1.91GHz) for option
- Onboard 4GB DDR3L 1333MHz/8GB(option)
- Flat Front Panel Touch Screen and Fanless Design
- DC 9~36V Wide-Ranging Power Input
- IP66 Compliant Front Panel
- Optional Projected Capacitive Touch Screen Support 7H Anti-Scratch Surface

Specifications

System					
CPU	Intel Celeron N2930 Processor (2M Cache,1.83GHz) Atom E3845 Processor (2M Cache,1.91GHz)				
System Chipset	SoC				
Memory	Onboard 4GB DDR3L SDRAM, up to 8GB (option)				
I/O Port					
USB	2 x USB 3.0 type A				
Serial / Parallel	1 x DB-9 RS-232/422/485, COM1 (Default RS-232) 1 x RS-232 DB-9, COM2				
Audio	1 x Audio Line Out				
LAN	2 x GbE LAN RJ-45				
Power	1 x 3-pin DC power input terminal 1 x 2-pin connector for power on/off button				
Option	VESA Stand 4G LTE/WiFi/ BT 4 x USB 2.0 type A (TB-528U4) 4 x USB 2.0 type A + 1 x Mini-PCIe + 1 x SIM slot (TB-528U4ME1) 2 x COM (RS-232) (TB-528C2) 1 x COM (RS-232) + 2 x USB 2.0 (TB-528C1U2) 1 x COM (RS-232) + 2 x USB 2.0 + 1 x Power Button (TB-528C1U2P1) 2 x COM (RS-232) + 1 x Mini-PCIe slot + 1 x SIM slot (TB-528C2ME1) 2 x COM (RS-422/485, isolated) (TB-528C2I) 2 x CAN (TB-528CAN2) 1 x LAN + 2 x USB 2.0 type A (TB-528E1U2) 1 x LAN(45W isolated PoE PD) + 2 x USB 2.0 type A (TB528E1U2UPOE)* Backup Battery 21W/10.8V/1.95Ah(3S1P) System is only allowed to build in either TB-528 PoE series or backup battery				
Storage Space					
HDD	1 x 2.5" SATA3 HDD space				
Movable Device	1 x Micro SD card slot, up to 32GB				
Expansion					
Onboard Expansion bus	1 x Mini-PCIe slot (full size) 1 x Micro SIM slot				
Display					
Display Type	18.5" TFT-LCD				
Max. Resolution	<table border="1"> <thead> <tr> <th>default</th> <th>optional</th> </tr> </thead> <tbody> <tr> <td>1366 x 768</td> <td>1920 x 1080</td> </tr> </tbody> </table>	default	optional	1366 x 768	1920 x 1080
default	optional				
1366 x 768	1920 x 1080				
Max. Color	<table border="1"> <thead> <tr> <th>default</th> <th>optional</th> </tr> </thead> <tbody> <tr> <td>16.7M</td> <td>16.7M</td> </tr> </tbody> </table>	default	optional	16.7M	16.7M
default	optional				
16.7M	16.7M				
Luminance (cd/m ²)	<table border="1"> <thead> <tr> <th>default</th> <th>optional</th> </tr> </thead> <tbody> <tr> <td>300</td> <td>350</td> </tr> </tbody> </table>	default	optional	300	350
default	optional				
300	350				
View Angle	<table border="1"> <thead> <tr> <th>default</th> <th>optional</th> </tr> </thead> <tbody> <tr> <td>170(H)/160(V)</td> <td>178(H)/178(V)</td> </tr> </tbody> </table>	default	optional	170(H)/160(V)	178(H)/178(V)
default	optional				
170(H)/160(V)	178(H)/178(V)				
Contrast	<table border="1"> <thead> <tr> <th>default</th> <th>optional</th> </tr> </thead> <tbody> <tr> <td>1000:1</td> <td>1000:1</td> </tr> </tbody> </table>	default	optional	1000:1	1000:1
default	optional				
1000:1	1000:1				
Backlight Lifetime	<table border="1"> <thead> <tr> <th>default</th> <th>optional</th> </tr> </thead> <tbody> <tr> <td>50,000 hrs</td> <td>50,000 hrs</td> </tr> </tbody> </table>	default	optional	50,000 hrs	50,000 hrs
default	optional				
50,000 hrs	50,000 hrs				
Touch Screen					
Type	Resistive Touch Projected Capacitive Touch (for P model)				
Interface	USB				
Light Transmission(%)	Resistive Touch: 80% Projected Capacitive Touch: 90%				

Dimensions



Power	
Power Input	DC 9~36V
Power Consumption	ARCHMI-818P: 45W (MAX)
Mechanical	
Construction	Aluminum Chassis
Mounting	Panel Mount, VESA 100 x 100
Dimensions (WxHxD)	499.6 x 314.6 x 59.9 mm
IP Rating	IP66 Compliant Front Bezel
Net Weight	6 kg
Environmental	
Operating Temperature	0~50°C/ -20~60°C (option)
Storage Temperature	-30~70°C
Humidity	10 to 90%@ 40°C, non-condensing
Certificate	CE/FCC Class A/CB/UL
Operating System Support	
Windows 10 IoT	
Ordering Information	
ARCHMI-818	18.5" WXGA Fanless HMI barebone with Intel N2930 1.83G CPU, 2GB DDR3L RAM, Resistive touch screen, DC 9~36V input with adapter, Aluminum chassis
ARCHMI-818P	18.5" WXGA Fanless HMI barebone with Intel N2930 1.83G CPU, 2GB DDR3L RAM, Projected Capacitive touch screen, DC 9~36V input with adapter, Aluminum chassis

*PoE limitation: CPU turbo off, rear I/O no loading, 70% LED backlight, PSE cable length < 50m