

### Features

- Intel Celeron Processor N2930 1.83GHz
- Fanless and extendable I/O design
- 1 x 204-pin SO-DIMM slot up to 8GB DDR3L 1333MHz
- Wide range DC 9~36V power input
- Ultra Slim Design
- 1 x 2.5" SATA2 HDD Space

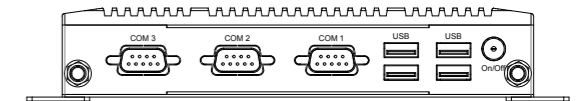
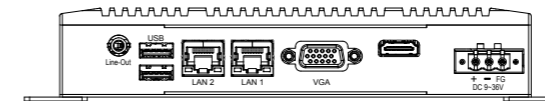
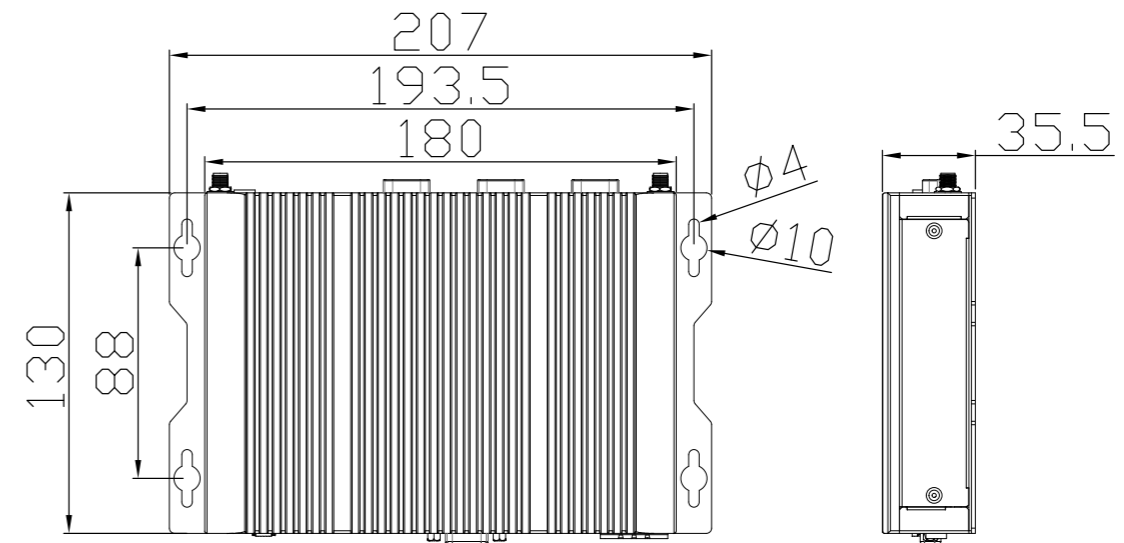
### Specifications

System	
CPU	Intel Celeron Processor N2930 1.83GHz
System Chipset	SoC
System Memory	1 x 204-pin SO-DIMM slot up to 8GB DDR3L 1333MHz
I/O Interface	
USB	2 x USB 3.0 type A, 4 x USB 2.0 type A
Serial/Parallel	1 x RS-232/422/485 DB-9, COM1, default RS-232 2 x RS-232 DB-9, COM2 and COM3
Audio	1 x Line-out
Display	1 x VGA, 1 x HDMI
LAN	2 x GbE LAN RJ-45
Power	1 x 3-pin DC power input terminal, 1 x power button with light
Storage Space	
Storage	1 x 2.5" SATA2 HDD space
Expansion	
Expansion slot	1 x Mini-PCIe slot full size 1 x Mini-PCIe slot full size (shared with mSATA)
Power	
Power Input	DC 9~36V
Power Consumption	MAX: 17.8W
Mechanical	
Construction	Plating titanium gray aluminum heatsink and black steel chassis
IP Rating	IP30
Mounting	Wall Mount
Dimensions	207 x 130 x 35.5 mm
Net Weight	1.0 kg
Environmental	
Operating Temperature	0~50°C / -20~60°C (option)
Storage Temperature	-30~70°C
Storage Humidity	10 to 90%@ 40°C, non-condensing
Certificate	CE/FCC Class A

### Operating System Support

Windows 7 Pro for Embedded, Windows Embedded Standard 7, Windows Embedded 8.1 Industry Pro, Windows Embedded 8 Standard, Windows 10 IoT ENT 2016 LTSC Entry, Windows 10 IoT 2019, Windows 10 IoT 2021

### Dimensions



### Ordering Information

ACS-2310-01

Fanless Box PC, Intel Celeron N2930 CPU, 2GB DDR3L memory, 16GB MLC SSD, 1 x Mini-PCIe slot Full size, 1 x Mini-PCIe slot Full size (shared with mSATA), DC 9~36V power input with adaptor, Steel Chassis with Aluminum Heatsink