

Features

- Intel 6th/7th Gen. Skylake/Kaby Lake Core i3/i5/i7 CPU
- 2 x SO-DIMM, up to 32GB
- Easy accessible storage design
- Support 4K UHD display
- Multi-expansion slot
- Three independent display ports
- Wide range DC 9~36V power input

Specifications

System	
CPU	Intel 6th/7th Gen. Skylake/Kaby Lake Core i3/i5/i7 CPU with 35W TDP Support
System Chipset	Intel H170 Chipset
System Memory	2 x 260-pin SO-DIMM slot up to 32GB DDR4 1866/2133 MHz
Front I/O Interface	
USB	4 x USB 3.0 type A, 2 x USB 2.0 type A
Serial/Parallel	2 x RS-232/422/485 DB-9, COM1/COM2, default RS-232 2 x RS-232 DB-9, COM3/COM4
Audio	1 x Line-in, 1 x Line-out, 1 x Mic
Display	1 x Display port, 1 x DVI-I, 1 x HDMI
LAN	4 x GbE LAN RJ-45
GPIO	1 x GPIO 8-bit digital I/O(4 x DI, 4 x DO)
Power	1 x 3-pin DC power input terminal, 1 x power button with light

Storage Space	
Storage	2 x 2.5" SATA3 HDD bay (easy accessible), support RAID 0.1

Expansion	
On Board Expansion Bus	3 x Mini-PCIe slot full size (one shared with mSATA)
Expansion Slot	2 x PCIe x1 slots default 1 x PCIe x4 slot option

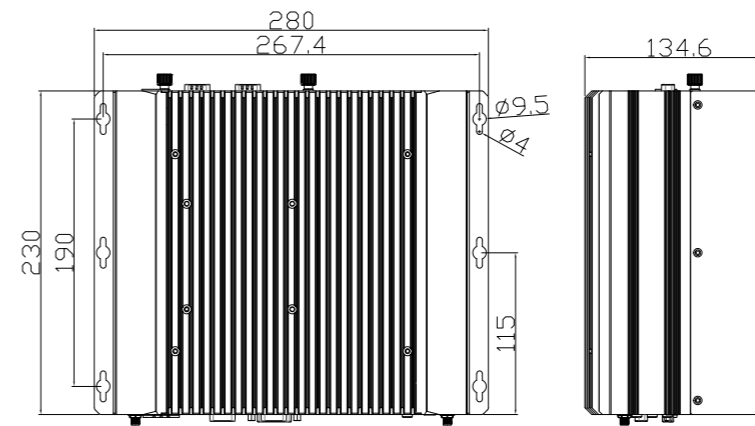
Power	
Power Input	DC 9~36V
Power Consumption	MAX: 60.4W

Mechanical	
Construction	Plating Titanium Gray Aluminum Heatsink and Black Steel Chassis
IP Rating	IP20
Mounting	Wall Mount
Dimensions	280 x 230 x 134.6 mm
Net Weight	5.5 kg

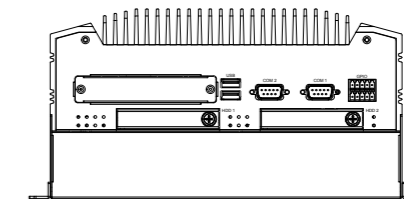
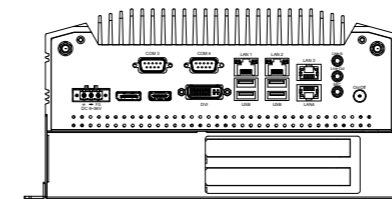
Environmental	
Operating Temperature	0~50°C / -20~60°C (option)
Storage Temperature	-40~85°C
Storage Humidity	10 to 90%@ 40°C, non-condensing
Certificate	CE/FCC Class A

Operating System Support	
Windows Embedded 8.1 Industry Pro, Windows Embedded 8 Standard Windows 10 IoT 2016, Windows 10 IoT 2019, Windows 10 IoT 2021	

Dimensions



UNIT: mm
Tolerance: ±0.5



Ordering Information

ACS-2332

Fanless Box PC, Intel 6th/7th Core i CPU, 2 x SO-DIMM, DDR4 slots, 2 x 2.5" HDD space, 3 x mini-PCIe slots, 2 x PCIe x1 slot, DC 9~36V power input with adaptor, Steel Chassis with Aluminum Heat sink