

Features

- ARM Based HMI
- Fanless design
- Flat front panel touch screen
- TI- AM3354, ARM® Cortex™ A8 processor
- Onboard 512MB DDR3 SDRAM
- Onboard 512MB up to 1GB NAND Flash
- DC 9~36V wide-ranging power input
- LED backlight LCD
- Resistive touch window / Projected capacitive touch

Specifications

System	
CPU	Ti-AM3354, ARM Cortex A8(1x Core,1.0GHz)
System Chipset	NA
Memory	Onboard 512MB DDR3 SDRAM

External IO Port	
USB	2 x USB 2.0 type A
Serial / Parallel	1 x RS-232/422/485 DB9 , default RS-232
LAN	1 x 10/100MB LAN RJ-45 (POE for option)
Audio	1 x Line-out
Power	1 x 3-pin terminal block connector 1 x 2-pin Power switch connector
Option	TB-508CAN1 TB-508C1

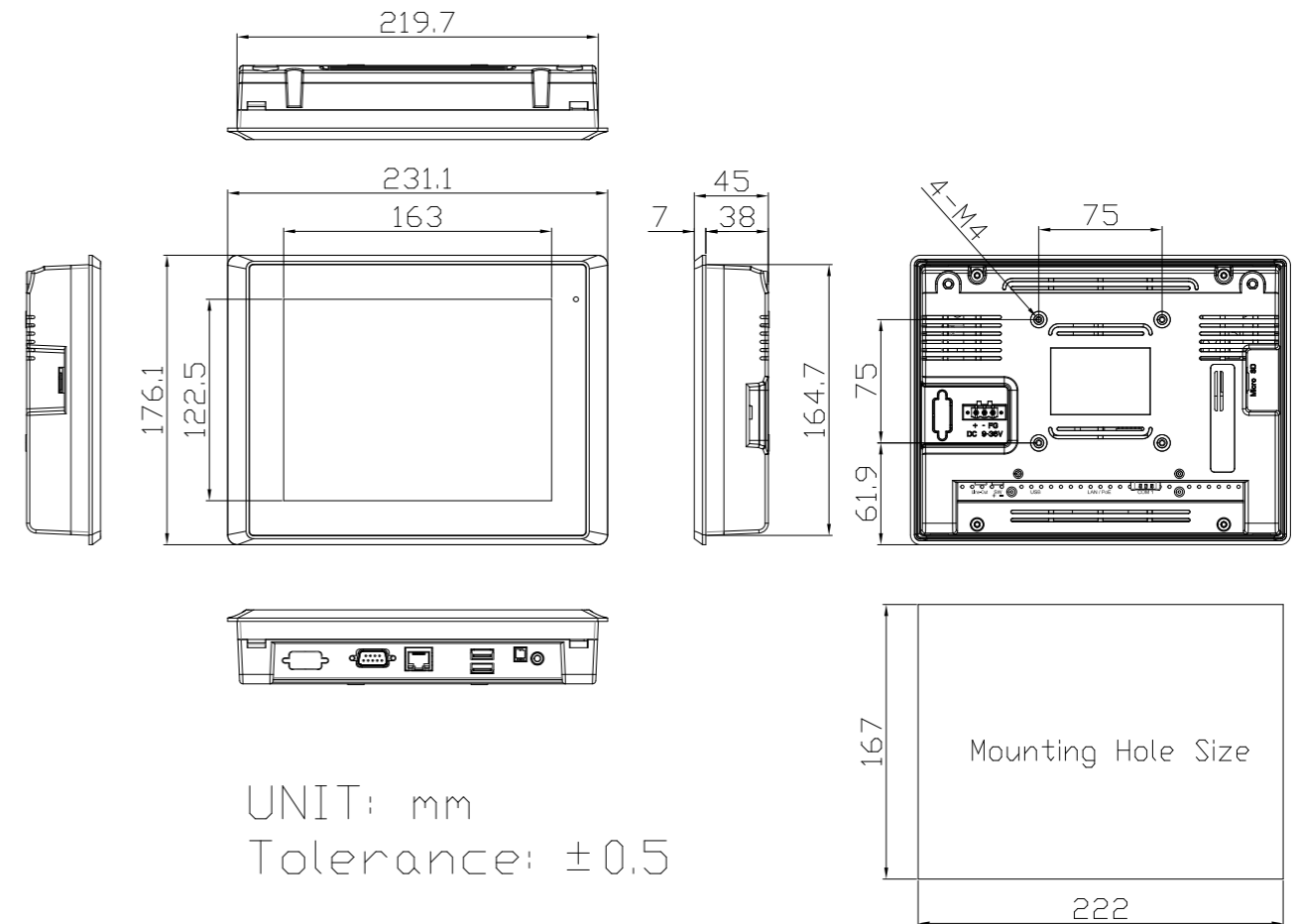
Storage Space	
HDD	Onboard 512MB NAND Flash (1GB for option)
Movable device	1 x micro SD slot

Expansion	
Onboard expansion bus	1 x mini-PCIe slot (full size)

Display	
Display Type	8" TFT-LCD
Max. Resolution	800 x 600
Max. Color	16.2M
Luminance (cd/m ²)	350
View Angle	140(H) /120(V)
Contrast	500:1
Backlight Lifetime	40,000 hrs

Touch Screen	
Type	Resistive Touch (for R Model) Projected Capacitive Touch (for P Model) Glass (for G model)
Interface	ADC (Analog-to-Digital Converter) (Resistive Touch) / USB (Projected Capacitive Touch)
Light Transmission(%)	Resistive Touch : 80% Projected Capacitive : 90%

Dimensions



Power	
Power Input	DC 9~36V
Power Consumption	ARMPAC-508P: 7.7W

Mechanical	
Construction	Plastic front bezel and Chassis
Mounting	Panel Mount , VESA mount 100x100
IP Rating	IP65 compliant front bezel
Dimensions	231.1 x 176.1 x 45 mm
Net Weight	0.9 kg

Environmental	
Operating Temperature	0~50°C/ -20~60°C (option)
Storage Temperature	-30~70°C
Humidity	10 to 95% @ 40°C, non- condensing
Certificate	CE/FCC Class A/UL

Operating System Support	
Linux 4.4.12 / WEC 7	