

Features

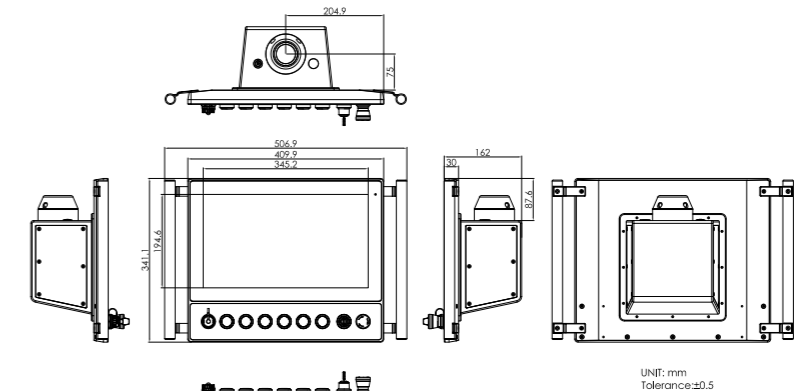
- 15.6" Full HD TFT LED LCD
- Intel 11th Gen. (Tiger Lake-UP3) Processors
- Support Projected Capacitive Touch
- Built-in RAFI FS22+ Functional Buttons for Intuitive Operation
- Top/Bottom Swing Arm Mounting
- IP65 Full Sealed with Swing Arm Kit
- Gap free Sealing and Slim Front Frame Architecture at Front Bezel
- DC 9~36V Wide Range Power Input

Specifications

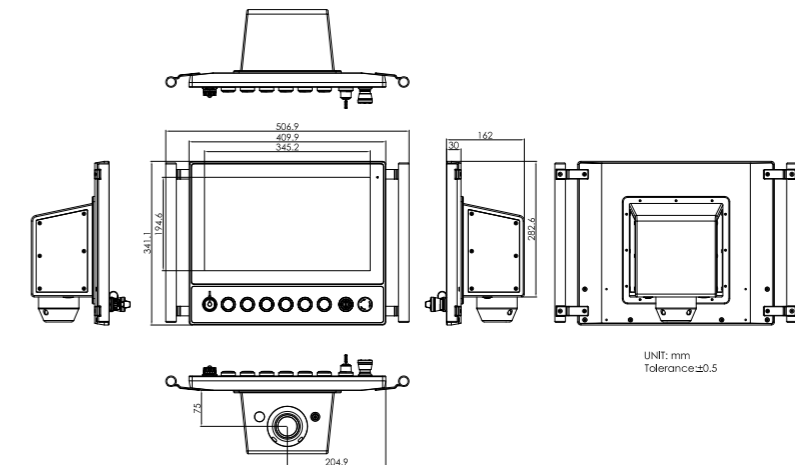
System		
CPU	Intel 11th Gen. (Tiger Lake-UP3) Processors i3-1115G4E (2C, 2.2GHz), Default i5-1145G7E (4C, 1.5GHz), Option	
System Chipset	SoC	
Memory	2 x DDR4-3200MHz SO-DIMM slot, up to 64GB	
TPM	TPM 2.0	
I/O Port		
USB	4 x USB 3.2 Type A 1 x USB 3.2 Gen 2 Type C	
Display out	2 x DP 1.4a 1 x HDMI 2.0b	
Serial / Parallel	1 x COM1 (RS-232/422/485) (optional) 1 x COM2 (RS-232/422/485, supports 5V/12V/RI) (optional)	
Audio	Line-in/ Line-out/ MIC (optional)	
Graph	Intel UHD Graphics	
LAN	1 x Intel i219LM, RJ45 GbE LAN 1 x Intel i225LM, RJ45 2.5GbE LAN	
Digital I/O	8 bit GPIO (optional)	
Power	1 x 3-pin Phoenix Connector for DC power 1 x Power Button with Light	
Front I/O and Buttons		
Functional Buttons	1 x Emergency Button (default) Default: 1 x BLUE (reset) / 1 x RED (stop) / 1 x GREEN (start) Optional: 3 x BLACK (self-defined) / 1 x Key Switch	
USB	1 x USB 2.0 Type-A	
Storage Space		
HDD/SSD	1 x M.2 2280 M-key (PCIe x4) slot for PCIe/NVMe SSD	
Expansion		
On board expansion bus	1 x Full size mSATA/mPCIe slot (mPCIe as default, select by BIOS) 1 x M.2 2230 E-key slot for Wi-Fi/BT Module 1 x Nano SIM card	
Display		
	Standard	High Brightness Optional
Display Type	15.6" TFT-LCD	15.6" TFT-LCD
Max. Resolution	1920 x 1080	1920 x 1080
Max. Color	16.7M	16.7M
Luminance (cd/m ²)	500	1000
View Angle	178(H) /178(V)	165(H) /165(V)
Contrast	1000:1	1000:1
Backlight Lifetime	50,000 hrs	50,000 hrs
Touch Screen		
Type	Projected Capacitive Touch	
Interface	USB	
Light Transmission(%)	over 90%	

Dimensions

Swing Arm Top



Swing Arm Bottom



Power	
Power Input	DC 9~36V
Power Consumption	MAX: 36W
Mechanical	
Construction	Front Bezel: Aluminum CNC Rear Housing: Stainless 316L
Mounting	Swing Arm support Rittal CP-40
IP Rating	Full IP65
Dimensions	409.9 x 341.1 x 162 mm
Net Weight	10.23 kg
Environmental	
Operating Temperature	0~50°C
Storage Temperature	-30~70°C
Humidity	10 to 90% @ 40°C, non-condensing
Certificate	Meet CE/FCC Class A / UKCA
Operating System Support	
Windows 10 IoT, Windows 11 IoT, Ubuntu	
Ordering Information	
ABOS-916CP with Swing Arm Kit	15.6" FHD IP65 Aluminum panel pc, Intel 11th Gen. Core i3-1115G4E CPU, 2 x DDR4 slot, 128G TLC SSD/M.2 2280, projected capacitive touch, 9~36V DC power without Adapter *Functional Buttons: 1 x Emergency button, 1 x Green button, 1 x Red button, 1 x Blue button, 1 x USB 2.0 (front) *Back Cover stainless steel 316L support Swing Arm + Rittal CP 40