

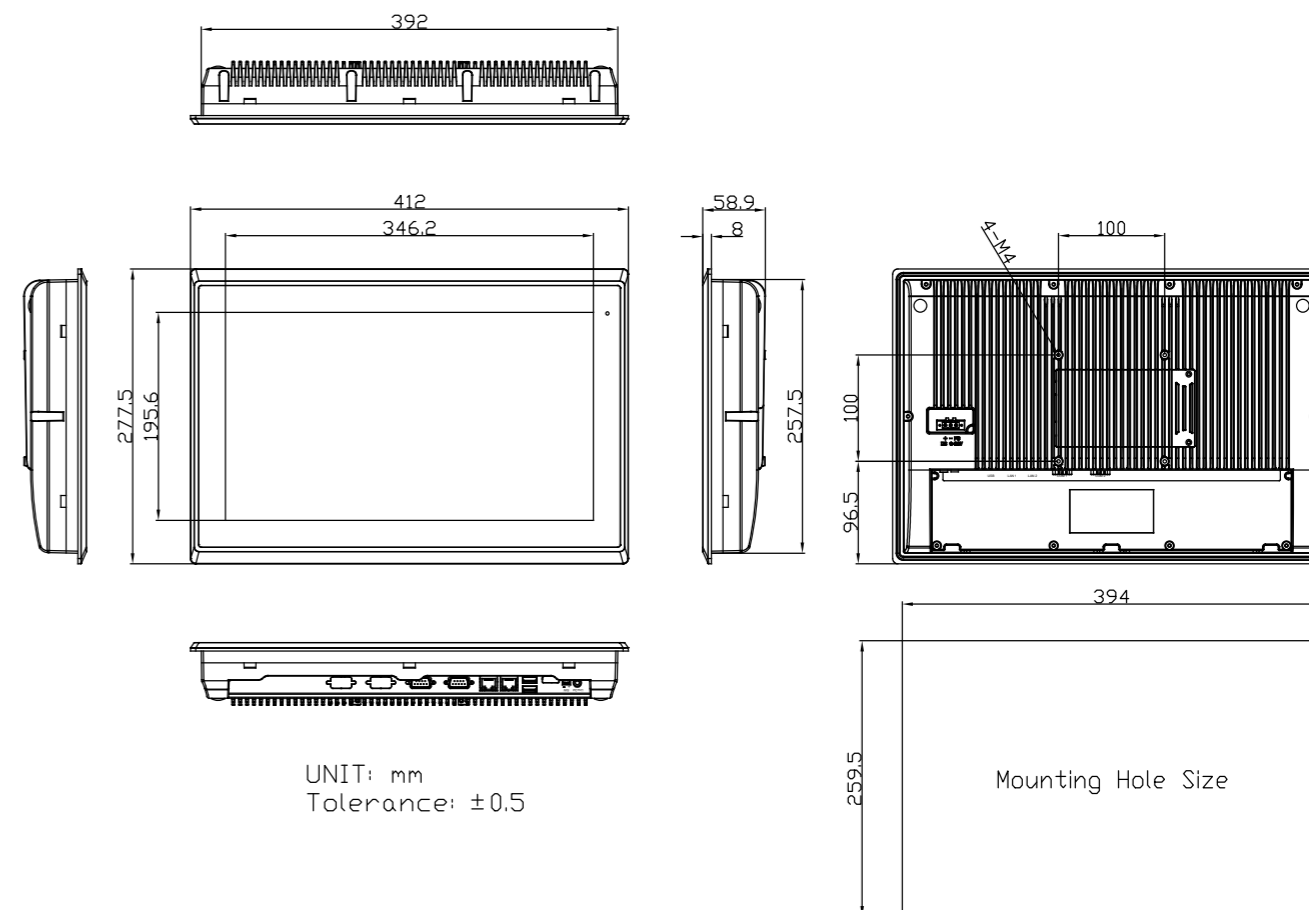
Features

- 15.6" Industrial Compact Size Panel PC
- Apollo Lake Intel N4200/ N3350 (option)
- On Board 4GB/ 8GB DDR3L 1600MHz
- Flat Front Panel Touch Screen
- IP66 Compliant Front Panel
- Optional Projected Capacitive Touchscreen Support 7H Anti-scratch Surface
- DC 9~36V Wide-ranging Power Input
- High Brightness 1,000 nits for option

Specifications

System											
CPU	Intel Pentium N4200 Processor (2M Cache, 1.1GHz) / Celeron N3350 Processor (2M Cache, 1.1GHz)										
System Chipset	SoC										
Memory	Onboard 4GB DDR3L SDRAM, up to 8GB (option)										
TPM	TPM 2.0										
I/O Port											
USB	2 x USB 3.0 type A										
Serial / Parallel	1 x RS-232/422/485 DB9 (COM1), default RS-232 1 x RS-232 DB9 (COM2)										
Audio	1 x Audio Line Out										
LAN	2 x GbE LAN RJ-45										
Power	1 x 3-pin Terminal Block Connector 1 x 2-pin Power Switch connector										
Option	VESA Stand 4G LTE/WiFi/ BT 4 x USB 2.0 type A (TB-528U4) 4 x USB 2.0 type A + 1 x Mini-PCIe + 1 x SIM slot (TB-528U4ME1) 2 x COM (RS-232) (TB-528C2) 1 x COM (RS-232) + 2 x USB 2.0 (TB-528C1U2) 1 x COM (RS-232) + 2 x USB 2.0 + 1 x Power Button (TB-528C1U2P1) 2 x COM (RS-232) + 1 x Mini-PCIe slot + 1 x SIM slot (TB-528C2ME1) 2 x COM (RS-422/485, isolated) (TB-528C2I) 2 x CAN (TB-528CAN2) 1 x LAN + 2 x USB 2.0 type A (TB-528E1U2) 1 x LAN(45W isolated PoE PD) + 2 x USB 2.0 type A (TB528E1U2UPOE) Backup Battery 21W/10.8V/1.95Ah(3S1P) System is only allowed to build in either TB-528 PoE series or backup battery										
Storage Space											
HDD	1 x 2.5" SATA3 HDD space										
Movable Device	1 x Micro SD card slot										
Expansion											
Onboard Expansion bus	1 x Mini-PCIe slot (full size) 1 x Micro SIM slot										
Display											
Display Type	Standard: 15.6" TFT-LCD High Brightness Optional: 15.6" TFT-LCD										
Max. Resolution	<table border="1"> <thead> <tr> <th></th> <th>default</th> <th>optional</th> <th>default</th> <th>optional</th> </tr> </thead> <tbody> <tr> <td>1366 x 768</td> <td>1366 x 768</td> <td>1920 x 1080</td> <td>1366 x 768</td> <td>1920 x 1080</td> </tr> </tbody> </table>		default	optional	default	optional	1366 x 768	1366 x 768	1920 x 1080	1366 x 768	1920 x 1080
	default	optional	default	optional							
1366 x 768	1366 x 768	1920 x 1080	1366 x 768	1920 x 1080							
Max. Color	<table border="1"> <thead> <tr> <th></th> <th>default</th> <th>optional</th> <th>default</th> <th>optional</th> </tr> </thead> <tbody> <tr> <td>16.7M</td> <td>16.7M</td> <td>16.7M</td> <td>16.7M</td> <td>16.7M</td> </tr> </tbody> </table>		default	optional	default	optional	16.7M	16.7M	16.7M	16.7M	16.7M
	default	optional	default	optional							
16.7M	16.7M	16.7M	16.7M	16.7M							
Luminance (cd/m ²)	<table border="1"> <thead> <tr> <th></th> <th>default</th> <th>optional</th> <th>default</th> <th>optional</th> </tr> </thead> <tbody> <tr> <td>400</td> <td>400</td> <td>500</td> <td>1000</td> <td>1000</td> </tr> </tbody> </table>		default	optional	default	optional	400	400	500	1000	1000
	default	optional	default	optional							
400	400	500	1000	1000							
View Angle	<table border="1"> <thead> <tr> <th></th> <th>Standard</th> <th>High Brightness Optional</th> </tr> </thead> <tbody> <tr> <td>170(H)/160(V)</td> <td>178(H)/178(V)</td> <td>160(H)/160(V) / 170(H)/170(V)</td> </tr> </tbody> </table>		Standard	High Brightness Optional	170(H)/160(V)	178(H)/178(V)	160(H)/160(V) / 170(H)/170(V)				
	Standard	High Brightness Optional									
170(H)/160(V)	178(H)/178(V)	160(H)/160(V) / 170(H)/170(V)									
Contrast	<table border="1"> <thead> <tr> <th></th> <th>Standard</th> <th>High Brightness Optional</th> </tr> </thead> <tbody> <tr> <td>500:1</td> <td>1000:1</td> <td>500:1 / 1000:1</td> </tr> </tbody> </table>		Standard	High Brightness Optional	500:1	1000:1	500:1 / 1000:1				
	Standard	High Brightness Optional									
500:1	1000:1	500:1 / 1000:1									
Backlight Lifetime	<table border="1"> <thead> <tr> <th></th> <th>Standard</th> <th>High Brightness Optional</th> </tr> </thead> <tbody> <tr> <td>50,000 hrs</td> <td>50,000 hrs</td> <td>50,000 hrs / 50,000 hrs</td> </tr> </tbody> </table>		Standard	High Brightness Optional	50,000 hrs	50,000 hrs	50,000 hrs / 50,000 hrs				
	Standard	High Brightness Optional									
50,000 hrs	50,000 hrs	50,000 hrs / 50,000 hrs									
Touch Screen											
Type	Resistive Touch (for AR Model) Projected Capacitive Touch (for AP Model)										
Interface	USB										
Light Transmission(%)	Resistive Touch: 80% Projected Capacitive Touch: 90%										

Dimensions



Power	
Power Input	DC 9~36V
Power Consumption	ARCHMI-816AP: 30W (MAX)
Mechanical	
Construction	Aluminum Die-casting Chassis
Mounting	Panel Mount, VESA 100 x 100
Dimensions (WxHxD)	412 x 277.5 x 58.9 mm
IP Rating	IP66 Compliant Front Bezel
Net Weight	4.8 kg
Environmental	
Operating Temperature	0~50°C / -20~60°C (option)
Storage Temperature	-30~70°C
Humidity	10 to 90% @ 40°C, non-condensing
Certificate	CE/FCC Class A/UL
Operating System Support	
Windows 10 IoT	