

Features

- 15.6" TFT-LCD
- Intel Celeron Processor N2930
- SUS 316 Stainless Steel
- Total IP66 Grade with M12 Waterproof Connector
- Variety of IO applications
- Wide range DC 9~36V Power Input
- Support Panel Mount & VESA Mount
- Support Projected Capacitive Touch
- Full Flat Bezel and Fanless Design
- ATEX/IECEX Zone2, Zone22 and C1D2/C2D2/C3 Certified

Specifications

System	
CPU	Onboard Intel Celeron N2930 Processor (2M Cache, 1.83GHz)
System Chipset	SoC
Memory	Onboard 4GB/8GB DDR3L 1333MHz

IO Port	
USB	1 x M12 8-pin for 2 x USB 2.0 with waterproof cover and chain
Serial / Parallel	1 x M12 8-pin for COM1, RS-232/422/485, default RS-232, with waterproof cover and chain
LAN	2 x M12 8-pin for LAN with waterproof cover and chain
Graph	1 x M12 8-pin for VGA with waterproof cover and chain
Power	1 x M12 3-pin for DC power connector with waterproof cover and chain

Storage Space	
HDD	1 x 2.5" HDD or SSD space 1 x mSATA space
Movable Device	1 x Internal SD Card

Expansion	
Expansion slot	1 x Mini-PCIe (full size)

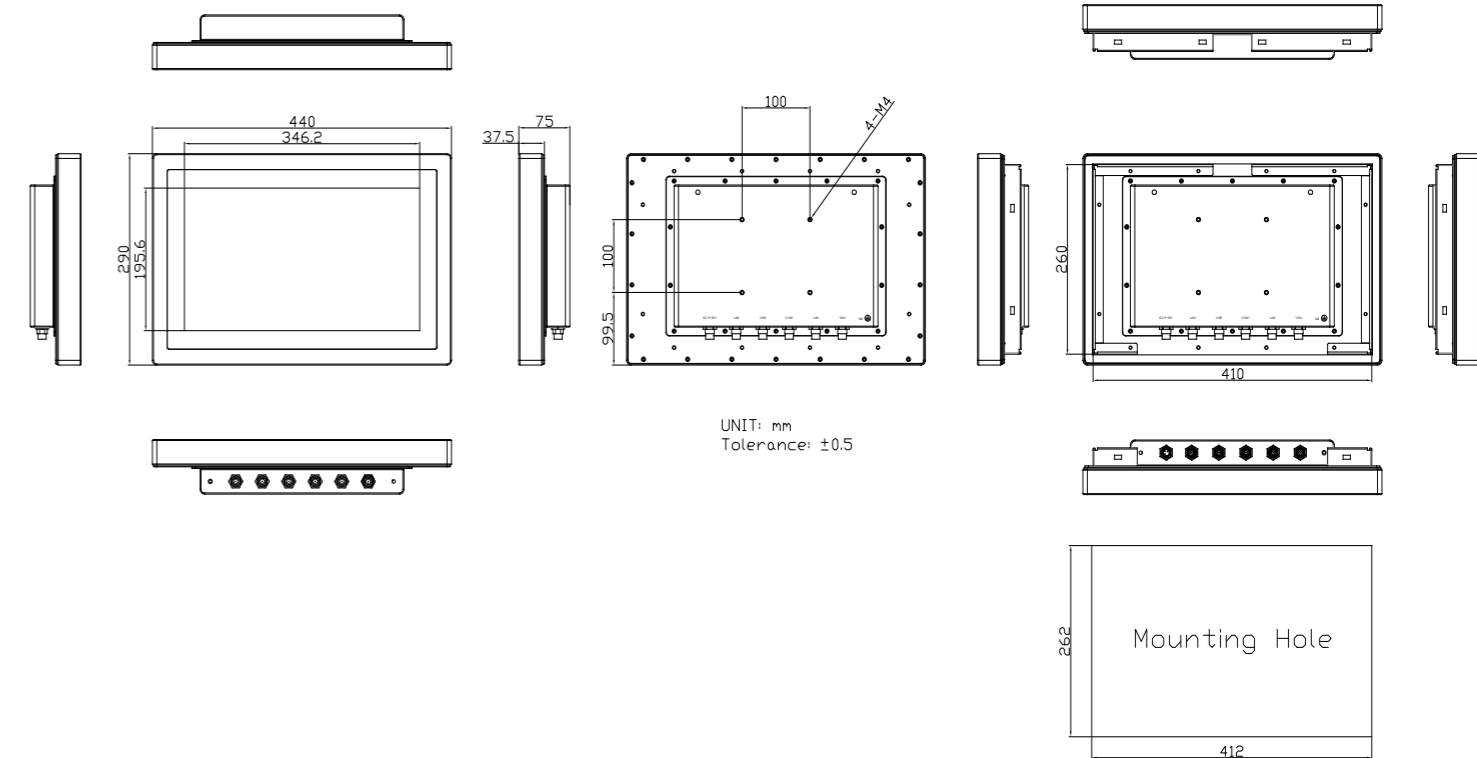
Display	
Display Type	15.6" TFT-LCD
Max. Resolution	1920 x 1080
Max. Color	16.2M
Luminance (cd/m ²)	400
View Angle	160(H)/140(V)
Contrast	700:1
Backlight Lifetime	50,000 hrs

Touch Screen	
Type	Projected Capacitive Touch
Interface	USB
Light Transmission(%)	90%

Power	
Power Input	DC 9~36V
Power Consumption	AEx-816P: 23W

Mechanical	
Construction	316 stainless steel chassis
Mounting	VESA mount 100 x 100, Panel mount (option)
IP Rating	Total IP66
Dimensions	440 x 290 x 75 mm
Net Weight	10 kg

Dimensions



Environmental	
Operating Temperature	0~50°C / -20~60°C(option)
Storage Temperature	-30~70°C
Humidity	10 to 95% @ 40°C, non- condensing
Safety	CSA C22.2 No.61010

Certificate	
	CE / FCC Class A ATEX / IECEx Zone2 Ex ec ic IIC T4 Gc ATEX / IECEx Zone22 Ex tc IIIC T135°C Dc Class I, Division2, Group A,B,C,D,T4 Class II, Division2, Group F,G, T135°C Class III ANSI/ISA 12.12-01-2013 CSA Std., C22 No213-1987

Operating System Support	
	Windows embedded 7 Windows embedded 8.1 Windows 10 IoT ENT LTSB

Ordering Information	
AEX-816P	15.6" FHD IP66 Intel Celeron N2930 1.8G CPU fan less panel PC, 4GB DDR3L memory on board, 1 x 128GB 2.5" MLC SSD, 1 x 64GB mSATA GMLC SSD, Projected capacitive touch, DC9~36V power input with power adapter, 316 stainless steel enclosure, support VESA Mount, WT-20~60 Accessory : 1 x M12 for 2 x USB2.0 Cable, 2 x M12 LAN cable, 1 x M12 COM Cable, 1 x VGA Cable, 1 x 3pin power input cable (w/o Adapter)