

Features

- 7" Industrial Compact Size Panel PC
- Intel Apollo Lake N4200/ N3350 (option)
- On Board 4GB/ 8GB DDR3L 1600MHz
- Flat Front Panel Touch Screen
- IP66 Compliant Front Panel
- Optional Projected Capacitive Touchscreen Support 7H Anti-scratch Surface
- DC 9~36V Wide-ranging Power Input
- High Brightness 1,000 nits for option

Specifications

System	
CPU	Intel Pentium N4200 Processor (2M Cache, 1.1GHz) / Celeron N3350 Processor (2M Cache, 1.1GHz)
System Chipset	SoC
Memory	Onboard 4GB DDR3L SDRAM, up to 8GB (option)
TPM	TPM 2.0

I/O Port	
USB	2 x USB 3.0 type A
Serial / Parallel	1 x RS-232/422/485 DB9 (COM1), default RS-232 1 x RS-232 DB9 (COM2)
Audio	1 x Audio Line Out
LAN	2 x GbE LAN RJ-45
Power	1 x 3-pin Terminal Block Connector 1 x 2-pin Power Switch connector
Option	VESA Stand 4G LTE/Wi-Fi/BT

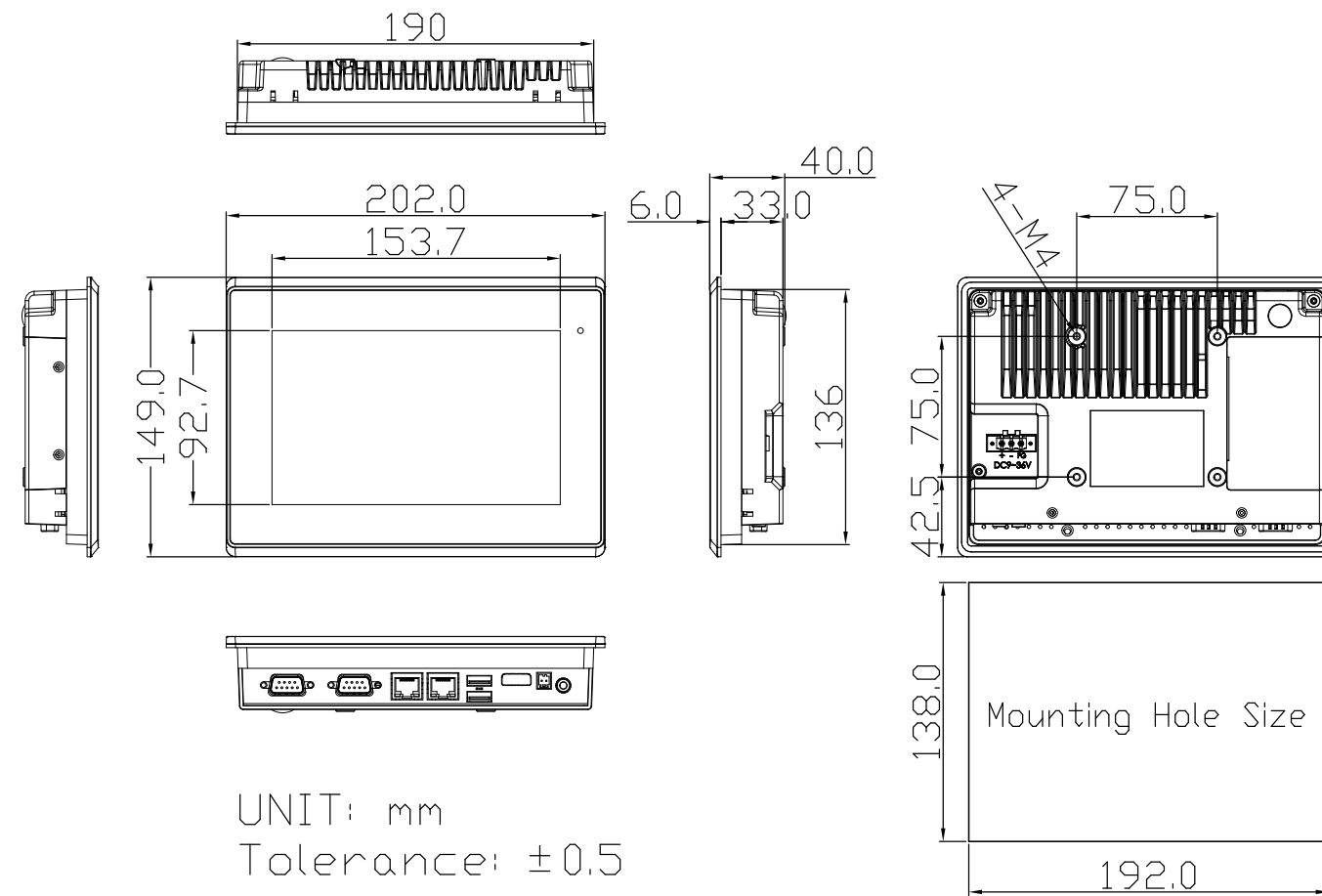
Storage Space	
HDD	1 x MO-297 SSD space
Movable Device	1 x Micro SD card slot

Expansion	
Onboard Expansion bus	1 x Mini-PCIe slot (full size) 1 x Micro SIM slot

Display	Standard	High Brightness Optional
Display Type	7" TFT-LCD	7" TFT-LCD
Max. Resolution	800 x 480	800 x 480
Max. Color	262K	262K
Luminance (cd/m ²)	350	1000
View Angle	160(H) / 160(V)	160(H) / 160(V)
Contrast	1000:1	1000:1
Backlight Lifetime	40,000 hrs	40,000 hrs

Touch Screen	
Type	Resistive Touch (for AR Model) Projected Capacitive Touch (for AP Model)
Interface	USB
Light Transmission(%)	Resistive Touch: 80% Projected Capacitive Touch: 90%

Dimensions



Power	
Power Input	DC 9~36V
Power Consumption	ARCHMI-807AP: 28W (MAX)

Mechanical	
Construction	Aluminum Die-casting Chassis
Mounting	Panel Mount, VESA 75 x 75
Dimensions (WxHxD)	202 x 149 x 40 mm
IP Rating	IP66 Compliant Front Bezel
Net Weight	2.8 kg

Environmental	
Operating Temperature	0~50°C / -20~60°C (option)
Storage Temperature	-30~70°C
Humidity	10 to 90%@ 40°C, non-condensing
Certificate	CE/FCC Class A/UL

Operating System Support	
Windows 10 IoT	