

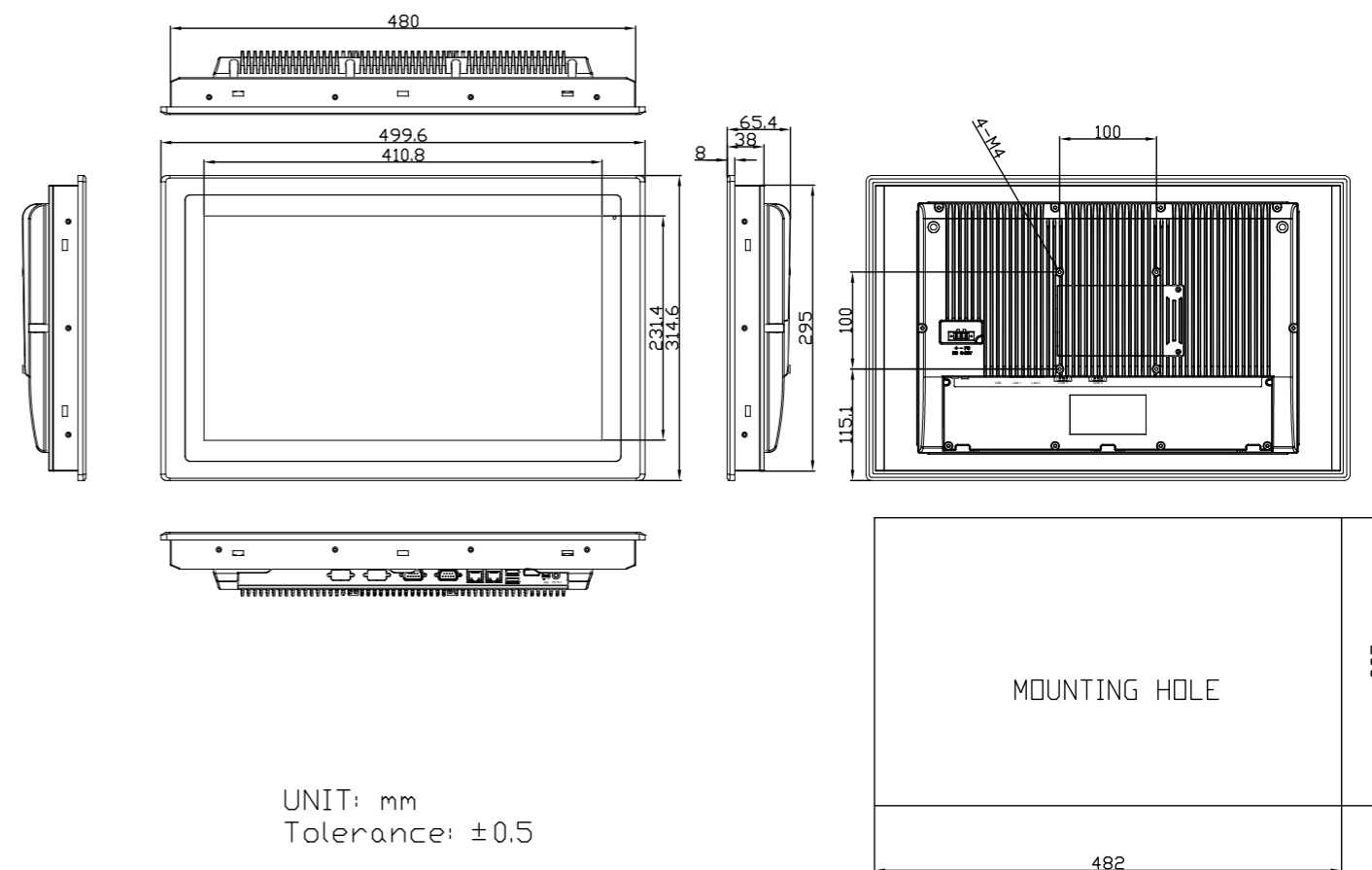
Features

- 18.5" Industrial Compact Size Panel PC
- Intel Apollo Lake N4200/ N3350 (option)
- On Board 4GB/ 8GB DDR3L 1600MHz
- Flat Front Panel Touch Screen
- IP66 Compliant Front Panel
- Optional Projected Capacitive Touchscreen Support 7H Anti-scratch Surface
- DC 9~36V Wide-ranging Power Input
- High Brightness 1,000 nits for option

Specifications

System	
CPU	Intel Pentium N4200 Processor (2M Cache, 1.1GHz) / Celeron N3350 Processor (2M Cache, 1.1GHz)
System Chipset	SoC
Memory	Onboard 4GB DDR3L SDRAM, up to 8GB (option)
TPM	TPM 2.0
I/O Port	
USB	2 x USB 3.0 type A
Serial / Parallel	1 x RS-232/422/485 DB9 (COM1), default RS-232 1 x RS-232 DB9 (COM2)
Audio	1 x Audio Line Out
LAN	2 x GbE LAN RJ-45
Power	1 x 3-pin Terminal Block Connector 1 x 2-pin Power Switch connector
Option	VESA Stand 4G LTE/WiFi/ BT 4 x USB 2.0 type A (TB-528U4) 4 x USB 2.0 type A + 1 x Mini-PCIe + 1 x SIM slot (TB-528U4ME1) 2 x COM (RS-232) (TB-528C2) 1 x COM (RS-232) + 2 x USB 2.0 (TB-528C1U2) 1 x COM (RS-232) + 2 x USB 2.0 + 1 x Power Button (TB-528C1U2P1) 2 x COM (RS-232) + 1 x Mini-PCIe slot + 1 x SIM slot (TB-528C2ME1) 2 x COM (RS-422/485, isolated) (TB-528C2I) 2 x CAN (TB-528CAN2) 1 x LAN + 2 x USB 2.0 type A (TB-528E1U2) 1 x LAN(45W isolated PoE PD) + 2 x USB 2.0 type A (TB528E1U2UPOE)* Backup Battery 21W/10.8V/1.95Ah(3S1P) System is only allowed to build in either TB-528 PoE series or backup battery
Storage Space	
HDD	1 x 2.5" SATA3 HDD space
Movable Device	1 x Micro SD card slot
Expansion	
Onboard Expansion bus	1 x Mini-PCIe slot (full size) 1 x Micro SIM slot
Display	
Display Type	Standard: 18.5" TFT-LCD High Brightness Optional: 18.5" TFT-LCD
Max. Resolution	Standard: 1366 x 768 (default), 1920 x 1080 (optional) High Brightness Optional: 1366 x 768 (default), 1920 x 1080 (optional)
Max. Color	Standard: 16.7M High Brightness Optional: 16.7M
Luminance (cd/m ²)	Standard: 300, 350 High Brightness Optional: 1000, 1000
View Angle	Standard: 170(H)/160(V), 178(H)/178(V) High Brightness Optional: 170(H)/160(V), 178(H)/178(V)
Contrast	Standard: 1000:1 High Brightness Optional: 1000:1
Backlight Lifetime	Standard: 50,000 hrs High Brightness Optional: 50,000 hrs, 40,000 hrs
Touch Screen	
Type	Resistive Touch (for AR Model) Projected Capacitive Touch (for AP Model)
Interface	USB
Light Transmission(%)	Resistive Touch: 80% Projected Capacitive Touch: 90%

Dimensions



Power	
Power Input	DC 9~36V
Power Consumption	ARCHMI-818AP: 34W (MAX)
Mechanical	
Construction	Aluminum Chassis
Mounting	Panel Mount, VESA 100 x 100
Dimensions (WxHxD)	499.6 x 314.6 x 65.4 mm
IP Rating	IP66 Compliant Front Bezel
Net Weight	6 kg
Environmental	
Operating Temperature	0~50°C / -20~60°C (option)
Storage Temperature	-30~70°C
Humidity	10 to 90%@ 40°C, non-condensing
Certificate	CE/FCC Class A/UL
Operating System Support	
Windows 10 IoT	

*PoE limitation: CPU turbo off, rear I/O no loading, 70% LED backlight, PSE cable length < 50m