



Features

- 7" Food Industrial Panel PC
- Intel Celeron J6412 Processor
- 1 x 260-pin SO-DIMM DDR4 slot, up to 32GB 3200MHz
- Flat Front Panel Touch Screen with IP66/IP69K Front Bezel
- SUS304 Stainless Steel (option SUS316L)
- DC 9~36V Wide Range Power Input
- Support TPM2.0 Hardware Security

Specifications

System	
CPU	Intel Celeron J6412 Processor (2.0 GHz, 1.5MB L2 cache)
System Chipset	SoC
Memory	1 x 260-pin SO-DIMM up to 32GB DDR4 3200MHz
TPM	TPM 2.0

I/O Port	
USB	2 x USB 3.2 Gen2 type A 2 x USB 2.0 type A
Serial / Parallel	1 x RS-232/422/485 (Default RS-232; select via BIOS)
Audio	1 x Audio Line Out
LAN	2 x 2.5GbE LAN RJ-45
DP	1 x DP, support DP++
Power	1 x 3-pin Terminal Block Connector 1 x 2-pin Power Switch Connector
Option	VESA Stand 4G LTE/WiFi/BT

Storage Space	
Storage	1 x M.2 B-Key slot; (Support SATA3; 2242)

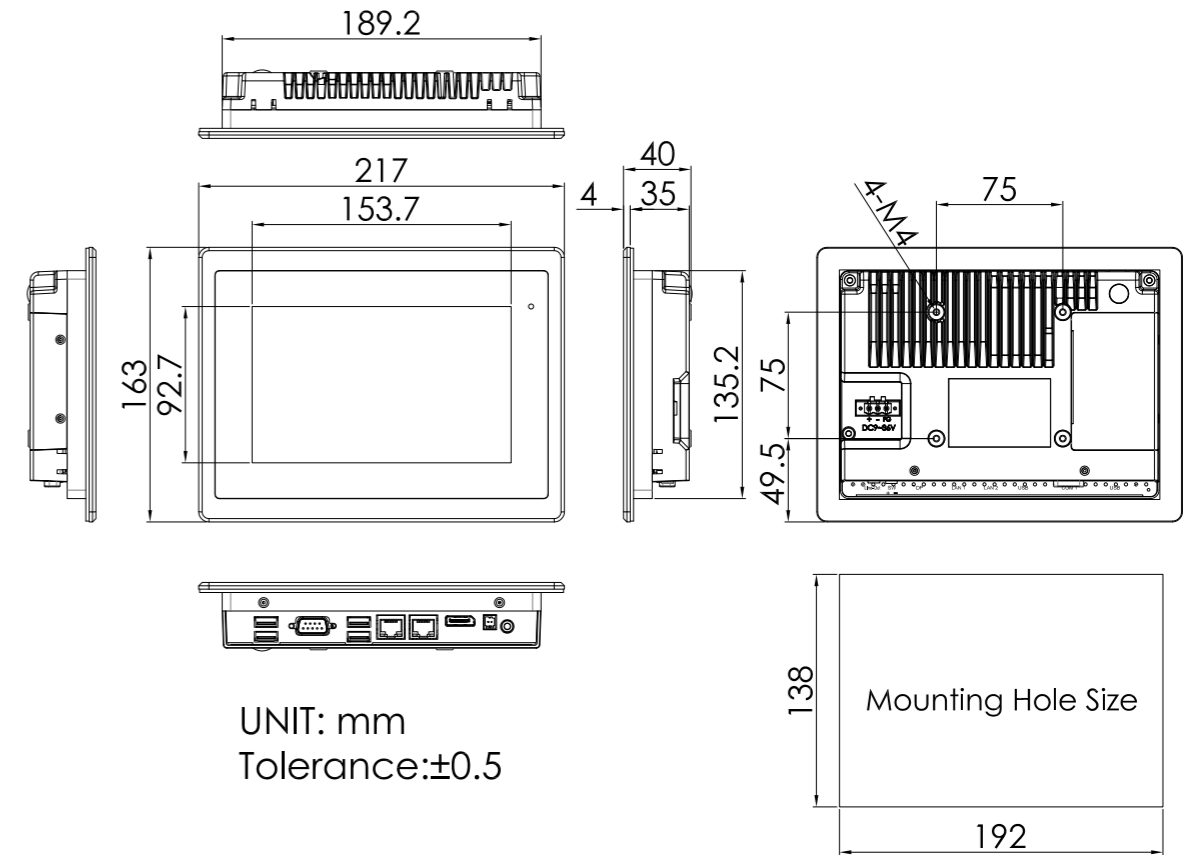
Expansion	
Onboard Expansion Bus	1 x Mini-PCIe slot (full size) 1 x M.2 E-key 1 x Nano SIM Card Holder

Display	Standard	Optional High Brightness
Display Type	7" TFT-LCD	7" TFT-LCD
Max. Resolution	800 x 480	800 x 480
Max. Color	262K	262K
Luminance (cd/m <sup>2</sup> )	350	1000
View Angle	160(H) / 160(V)	160(H) / 160(V)
Contrast	1000:1	1000:1
Backlight Lifetime	40,000 hrs	40,000 hrs

Touch Screen	
Type	Resistive Touch (for BR Model) Projected Capacitive Touch (for BP Model)
Interface	USB
Light Transmission(%)	Resistive Touch: 80% Projected Capacitive Touch: 90%

Power	
Power Input	DC 9~36V
Power Consumption	TBD

Dimensions



UNIT: mm  
Tolerance: ±0.5

Mechanical	
Construction	SUS304 Stainless Steel Front Bezel (default) / SUS316L Stainless Steel Front Bezel (for option) / Aluminum Die-casting Back Cover
Mounting	Panel Mount, VESA Mount 75 x 75
IP Rating	IP66/IP69K Compliant Front Bezel
Dimensions	217 x 163 x 40 mm
Net Weight	TBD

Environmental	
Operating Temperature	0~50°C / -20~60°C (option)
Storage Temperature	-30~70°C
Humidity	10 to 95% @ 40°C, non-condensing
Certificate	CE/FCC Class A / EN 1672-2 Compliant for P Model (optional)

Operating System Support	
Windows 10 IoT, Windows 11	

Ordering Information	
FABS-807BR	7" WVGA fanless HMI barebone with Intel Celeron J6412 processor, 1 x DDR4 slot, Resistive touch screen, 9~36V DC input with adapter, Stainless front bezel and Aluminum chassis.
FABS-807BP	7" WVGA fanless HMI barebone with Intel Celeron J6412 processor, 1 x DDR4 slot, Projected Capacitive touch, 9~36V DC input with adapter, Stainless front bezel and Aluminum chassis.
FABS-807BR(H)	7" high brightness WVGA fanless HMI barebone with Intel Celeron J6412 processor, 1 x DDR4 slot, Resistive touch screen, 9~36V DC input with adapter, Stainless front bezel and Aluminum chassis.
FABS-807BP(H)	7" high brightness WVGA fanless HMI barebone with Intel Celeron J6412 processor, 1 x DDR4 slot, Projected Capacitive touch, 9~36V DC input with adapter, Stainless front bezel and Aluminum chassis.