

**Features**

- Solid aluminum die-casting chassis
- Variety of LCD panel size selections
- IP66 compliant front panel
- VGA, DVI, HDMI and DP input
- Wide range DC 9~36V power input
- Auto dimming for option

**Specifications**

I/O Port	
VGA	1 x VGA
DVI	1 x DVI-D (share with HDMI)
DP	1 x DP
HDMI	1 x HDMI (share with DVI-D)
Audio	1 x Audio line-in phone jack
OSD Control Membrane	OSD at rear side
Power	1 x 3-pin terminal block for DC 9~36V power input
Others	1 x USB type B for touch control Optional I/O: 1 x Speaker 1 x RS-232 DB-9 for touch control

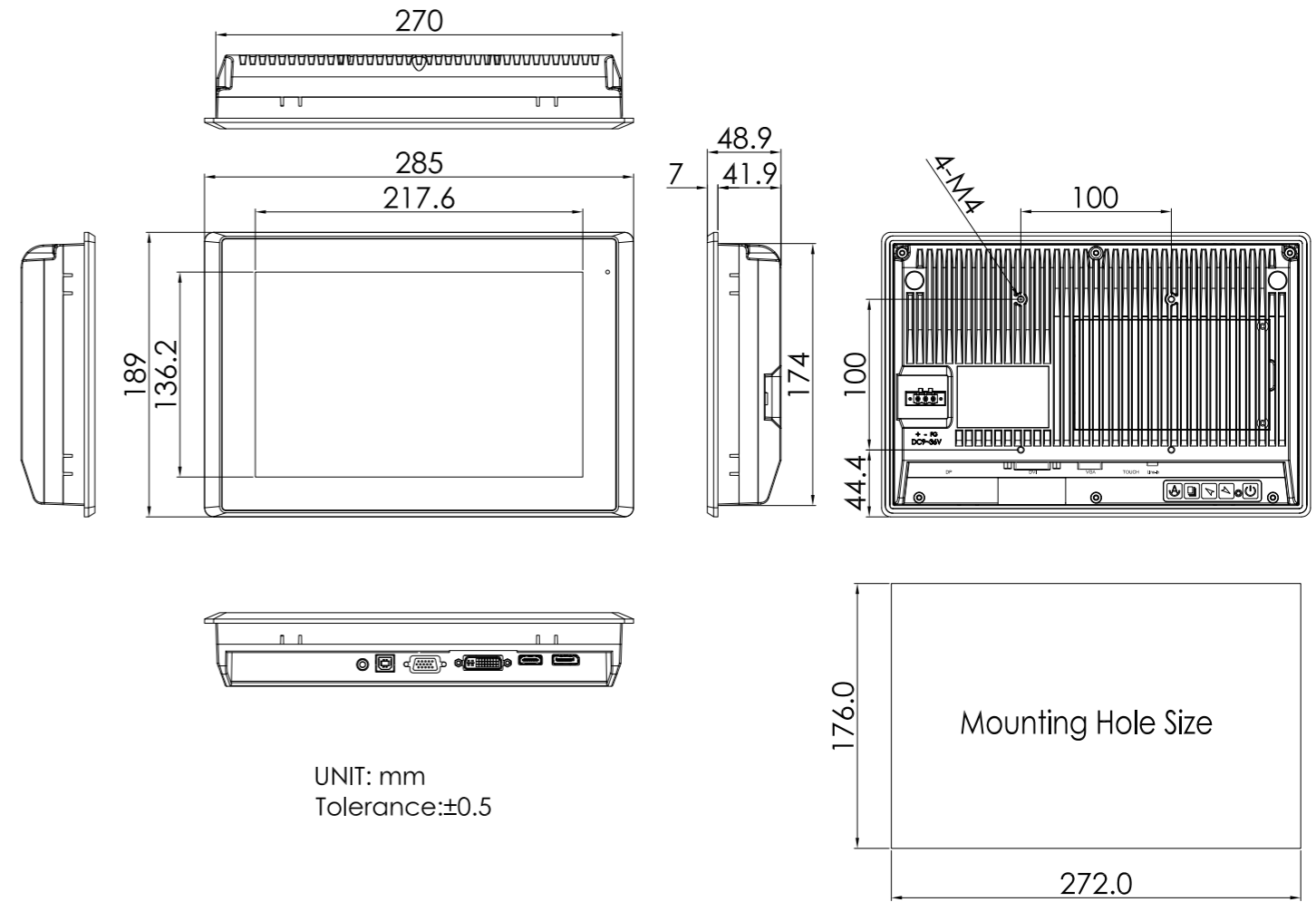
Display	Standard	High Brightness Optional
Display Type	10.1" TFT LCD	10.1" TFT LCD
Max. Resolution	1280 x 800	1280 x 800
Max. Color	16.7M	16.7M
Luminance (cd/m <sup>2</sup> )	350	1000
View Angle	170(H) / 170(V)	170(H) / 170(V)
Contrast	800:1	1000:1
Backlight Lifetime	25,000 hrs	50,000 hrs

Touch Screen	
Type	Resistive Touch (for AR Model) Projected Capacitive Touch (for AP Model) Glass (for AG model)
Interface	USB default (Resistive / Projected Capacitive Touch) RS-232 Option (Resistive Touch)
Light Transmission(%)	Resistive Touch : over 80% Projected Capacitive Touch : over 90%

Power	
Power Input	DC 9~36V
Power Consumption	ARCDIS-110AP: 5.1W (MAX)

Mechanical	
Construction	Aluminum die-casting chassis
Mounting	Panel mount / VESA mount 100 x 100
IP Rating	IP66 compliant front panel
Dimensions (WxHxD)	285 x 189 x 48.9 mm
Net Weight	1.9 kg

**Dimensions**



Environmental	
Operating Temperature	0~50°C / -20~60°C for option
Storage Temperature	-30~70°C
Humidity	10 to 95% @ 40°C, Non-condensing
Certificate	CE/FCC, Class A

Ordering Information	
ARCDIS-110AR	10.1" FPD Industrial display, Resistive touch window, VGA, DVI, HDMI, and DP input, 5 keys Rear OSD, DC 9~36V power input with adapter, Aluminum Diecasting Chassis
ARCDIS-110AP	10.1" FPD Industrial display, Projected Capacitive touch screen, VGA, DVI, HDMI, and DP input, 5 keys Rear OSD, DC 9~36V power input with adapter, Aluminum Die-casting Chassis