

### Features

- 15" Industrial Compact Size Panel PC
- Intel 6th Gen. Core i3(standard) / i5(option) CPU built-in
- 1 x 260Pin SO-DIMM DDR4 up to 16GB 2133MHz
- Flat Front Panel Touch Screen
- Fanless Design
- DC 9~36V Wide-Ranging Power Input
- Optional Projected Capacitive Touch Screen Support 7H Anti-Scratch Surface
- High Brightness 1,000 nits for Option

### Specifications

System	
CPU	Onboard 6th Gen. Intel Core i3/i5(option) Processors
System Chipset	SoC
Memory	1 x 260Pin SO-DIMM DDR4 up to 16GB 2133MHz

I/O Port	
USB	2 x USB 3.0 type A
Serial / Parallel	1 x DB-9 RS-232/422/485, COM1 (Default RS-232) 1 x RS-232 DB-9, COM2
Audio	1 x Audio Line Out
LAN	2 x GbE LAN RJ-45
Power	1 x 3-pin DC power input terminal 1 x 2-pin connector for power on/off

Option	
VESA Stand	
4G LTE/Wi-Fi/BT	
4 x USB 2.0 type A	(TB-528U4)
4 x USB 2.0 type A + 1 x Mini PCIe + 1 SIM slot	(TB-528U4ME1)
1 x COM + 2 x USB 2.0	(TB-528C1U2)
1 x COM (RS-232) + 2 x USB 2.0 + 1 x Power Button	(TB-528C1U2P1)
2 x COM (RS-232)	(TB-528C2)
2 x COM (RS-232) + 1 x Mini PCIe slot + 1 x SIM slot	(TB-528C2ME1)
2 x COM (RS-232/485, isolated)	(TB-528C2I)
2 x CAN	(TB-528CAN2)
1 x LAN + 2 x USB 2.0	(TB-528E1U2)
1 x LAN + 2 x USB 2.0, 45W PoE	(TB-528E1U2UPOE)*
UPS Battery 21W/10.8W/1.95Ah (3S1P)	
System is only allowed to build in either TB-528 PoE series or UPS battery	

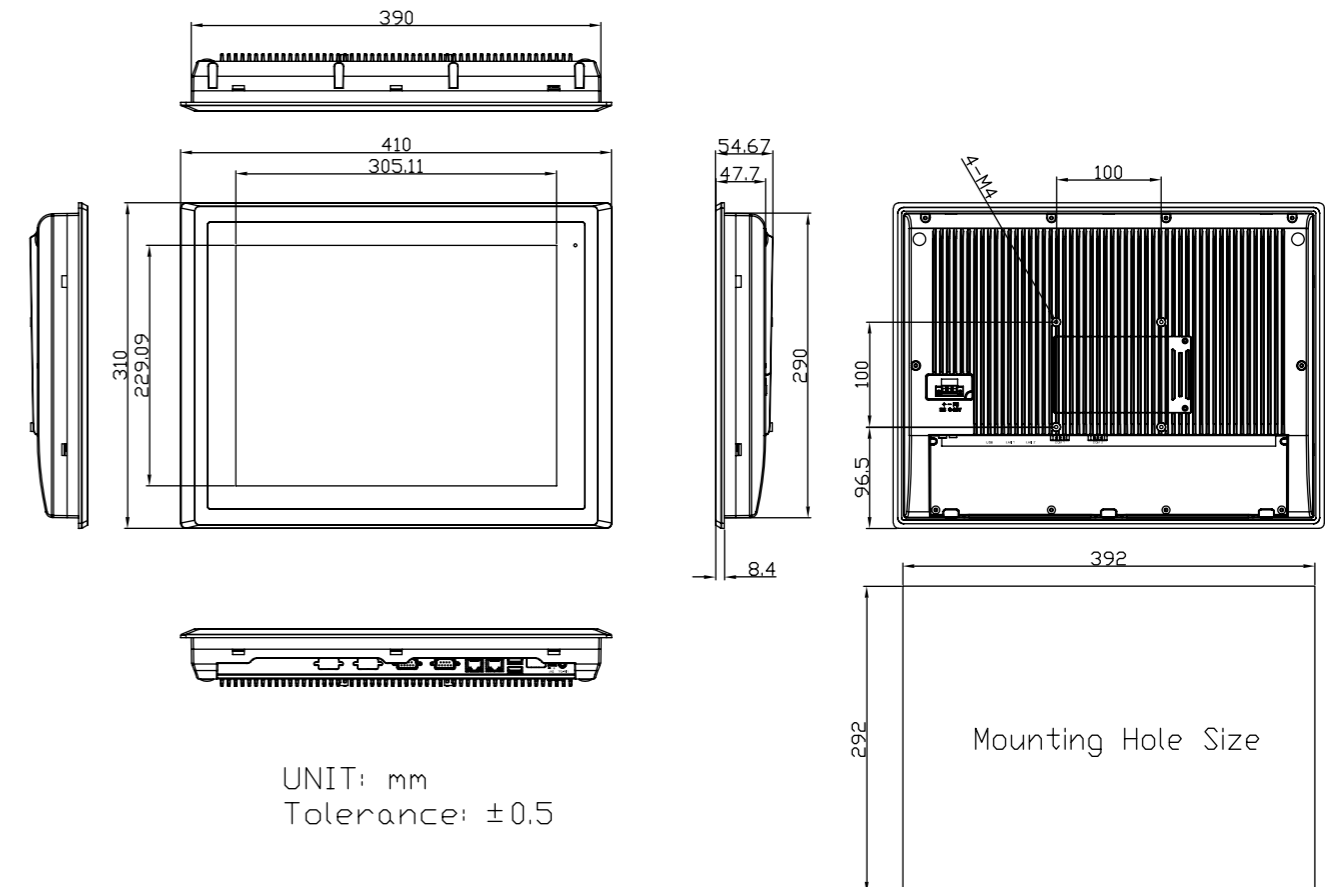
Storage Space	
HDD	1 x 2.5" SATA HDD bay for SATA HDD (Easy Accessible)

Expansion	
Expansion Slot	1 x Internal Mini-PCIe slot full size

Display	Standard	High Brightness Optional
Display Type	15" TFT LCD	15" TFT LCD
Max. Resolution	1024 x 768	1024 x 768
Max. Color	16.2M	16.7M
Luminance (cd/m <sup>2</sup> )	300	1000
View Angle	176(H) / 176(V)	176(H) / 176(V)
Contrast	2000:1	800:1
Backlight Lifetime	70,000 hrs	70,000 hrs

Touch Screen	
Type	Resistive Touch (for AR Model) Projected Capacitive Touch (for AP Model)
Interface	USB
Light Transmission(%)	Resistive Touch: over 80% Projected Capacitive Touch: over 90%

### Dimensions



Power	
Power Input	DC 9~36V
Power Consumption	ARCHMI-915AR: 41W (MAX)

Mechanical	
Color	RAL 9007
Construction	Aluminum die-casting chassis
Mounting	Panel Mount, VESA 100 x 100
Dimensions (WxHxD)	410 x 310 x 54.67 mm
IP Rating	IP66 Compliant Front Bezel
Net Weight	4.4 kg

Environmental	
Operating Temperature	0~50°C / -20~60°C (option)
Storage Temperature	-30~70°C
Humidity	10 to 90%@ 40°C, non-condensing
Certificate	CE / FCC, Class A / UL

Operating System Support	
Windows 10 IoT	

Ordering Information	
ARCHMI-915AR	15" XGA fanless HMI barebone with Intel 6th Gen. Core i3-6100 CPU, 1 x SO-DIMM(260pins), Up to 16GB DDR4 2133MHz, Resistive touch screen, 9~36VDC input with adapter, Aluminum chassis.
ARCHMI-915AP	15" XGA fanless HMI barebone with Intel 6th Gen. Core i3-6100 CPU, 1 x SO-DIMM(260pins), Up to 16GB DDR4 2133MHz, Projected Capacitive touch screen, 9~36VDC input with adapter, Aluminum chassis

\*PoE limitation: CPU turbo off, rear I/O no loading, 70% LED backlight, PSE cable length < 50m