

**Features**

- 21.5" New Generation Stainless Steel Display
- True Flat Front Bezel Design and Grade 304 Stainless Steel Enclosure (Grade 316 for Option)
- IP66/IP69K Rated with M12 (W.F.) Connectors
- Support Resistive Touch, Projected Capacitive Touch, and Glass
- Touch on/off Button on the Side Edge for Hygienic Cleaning
- Support Ergonomic Versatile Mounting: Yoke Mounting / Space-saving VESA 100 x 100 mm Mounting

**Specifications**

| IO Port              |  |
|----------------------|--|
| VGA                  | 1 x M12 12-pin for VGA with waterproof cover and chain     |
| HDMI                 | 1 x W.F. HDMI with waterproof cap                          |
| USB                  | 1 x M12 USB 2.0 with waterproof cover and chain            |
| Speaker              | 1 x 2W IP65 speaker (option)                               |
| OSD Control Membrane | OSD on the rear side                                       |
| Power Connector      | 1 x M12 3-pin for DC power with waterproof cover and chain |

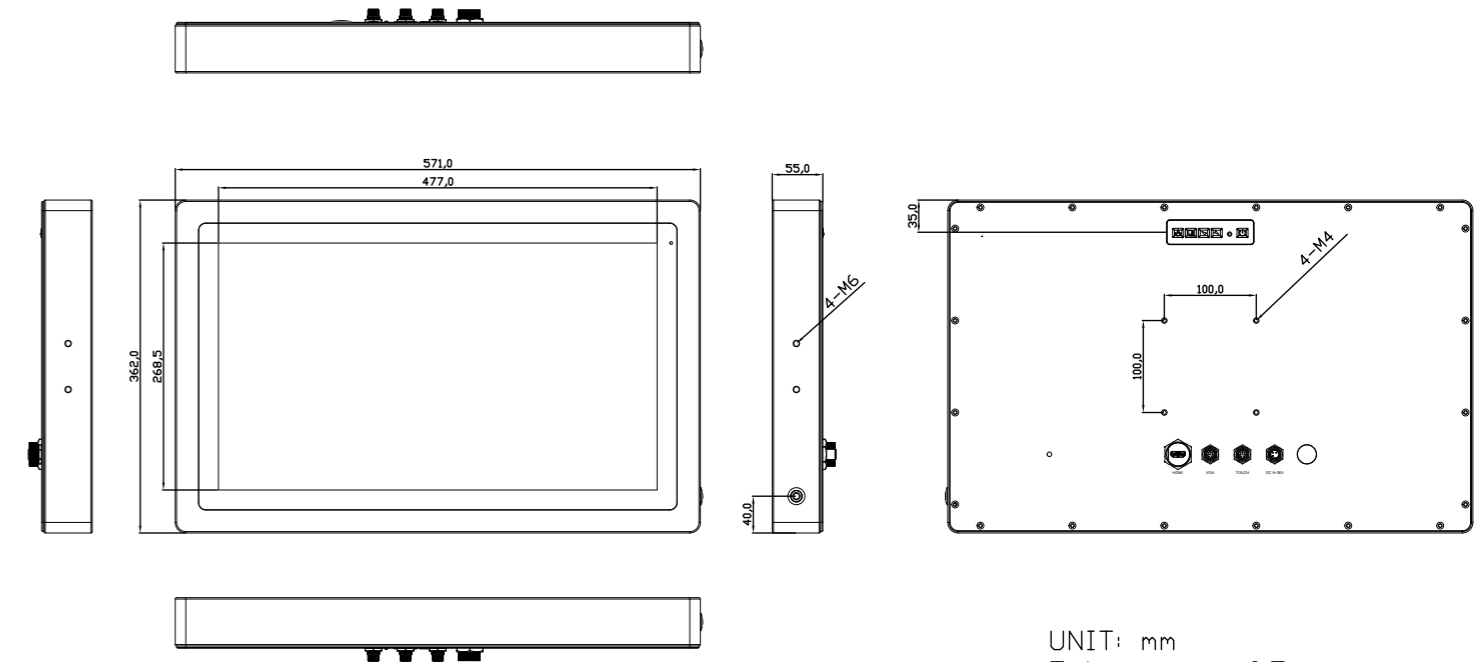
| Display                        | Standard       | High Brightness Optional |
|--------------------------------|----------------|--------------------------|
| Display Type                   | 21.5" TFT-LCD  | 21.5" TFT-LCD            |
| Max. Resolution                | 1920 x 1080    | 1920 x 1080              |
| Max. Color                     | 16.7M          | 16.7M                    |
| Luminance (cd/m <sup>2</sup> ) | 250            | 1000                     |
| View Angle                     | 178(H) /178(V) | 178(H) /178(V)           |
| Contrast                       | 3000:1         | 3000:1                   |
| Backlight Lifetime             | 30,000 hrs     | 50,000 hrs               |

| Touch Screen          |  |
|-----------------------|--|
| Type                  | Resistive Touch (for R model)<br>Projected Capacitive Touch (for P model)<br>Glass (for G model) |
| Interface             | USB  |
| Light Transmission(%) | Resistive Touch : 80%<br>Projected Capacitive : 90%  |

| Power             |   |
|-------------------|---|
| Power Input       | DC 9~36V                                    |
| Power Consumption | ViTAM-121R: Max 19W<br>ViTAM-121PH: Max 25W |

| Mechanical   |   |
|--------------|---|
| Construction | 304 Stainless steel chassis(default), 316 Stainless steel chassis(optional) |
| Mounting     | VESA Mount 100 x 100, Yoke mount (option)                                   |
| IP Rating    | Total IP66/IP69K  |
| Dimensions   | 571 x 362 x 55 mm   |
| Net Weight   | 9.5 kg  |

**Dimensions**



| Environmental         |                                   |
|-----------------------|-----------------------------------|
| Operating Temperature | 0~50°C / -20~60°C (option)        |
| Storage Temperature   | -30~70°C                          |
| Humidity              | 10 to 95% @ 40°C, non- condensing |
| Certificate           | CE/FCC Class A                    |

| Ordering Information |  |
|----------------------|--|
| ViTAM-121P           | 21.5" FHD IP66/IP69K stainless steel display, VGA/HDMI input, OSD on the rear side, projected capacitive touch, 9~36V DC power input with Adapter                    |
| ViTAM-121R           | 21.5" FHD IP66/IP69K stainless steel display, VGA/HDMI input, OSD on the rear side, 5 wire resistive touch window, 9~36V DC power input with Adapter                 |
| ViTAM-121G           | 21.5" FHD IP66/IP69K stainless steel display, VGA/HDMI input, OSD on the rear side, protection glass, 9~36V DC power input with Adapter                              |
| ViTAM-121PH          | 21.5" FHD IP66/IP69K stainless steel display, VGA/HDMI input, OSD on the rear side, projected capacitive touch, 9~36V DC power input with Adapter, 1,000 nits LCD    |
| ViTAM-121RH          | 21.5" FHD IP66/IP69K stainless steel display, VGA/HDMI input, OSD on the rear side, 5 wire resistive touch window, 9~36V DC power input with Adapter, 1,000 nits LCD |
| ViTAM-121GH          | 21.5" FHD IP66/IP69K stainless steel display, VGA/HDMI input, OSD on the rear side, protection glass, 9~36V DC power input with Adapter, 1,000 nits LCD              |