

Features

- Industrial Display
- Flat front panel touch screen
- Fanless design
- Wide range DC 9~36V power input
- IP66 compliant front panel
- VGA/DVI-D/HDMI/DP input
- System power LED light
- High Brightness LCD and Auto Dimming for option
- Support protective AR glass for option (non-touch version)

Specifications

| I/O Port | |
|----------------------|---|
| VGA | 1 x VGA |
| DVI | 1 x DVI-D (share with HDMI) |
| DP | 1 x DP |
| HDMI | 1 x HDMI (share with DVI-D) |
| Audio | 1 x Audio line-in phone jack |
| OSD Control Membrane | OSD at rear side |
| Power | 1 x 3-pin terminal block for DC 9~36V power input |
| Others | 1 x USB type B for touch control Optional I/O: 1 x Speaker 1 x RS-232 DB-9 for touch control |

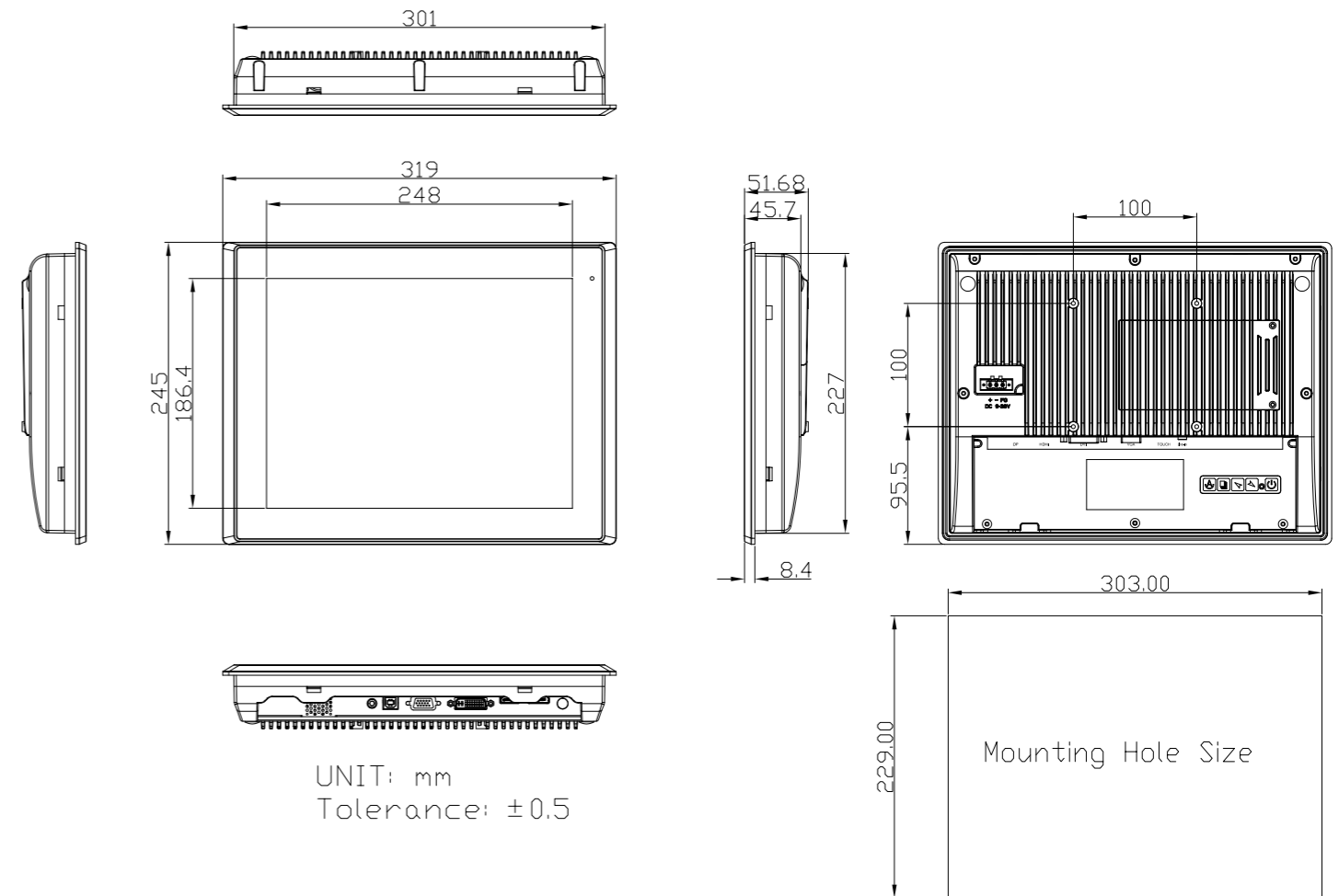
| Display | Standard | High Brightness Optional |
|--------------------------------|-------------------------|------------------------------------|
| Display Type | 12.1" TFT LCD | 12.1" TFT LCD |
| Max. Resolution | 800 x 600 1024 x 768 | 800 x 600 1024 x 768 |
| Max. Color | 262K / 16.2M | 16.2M |
| Luminance (cd/m ²) | 450 / 500 | 1000 |
| View Angle | 178(H) / 178(V) | 178(H) / 178(V) 160(H) / 140(V) |
| Contrast | 1500:1 / 700:1 | 700:1 |
| Backlight Lifetime | 50,000 hrs / 30,000 hrs | 50,000 hrs |

| Touch Screen | |
|-----------------------|---|
| Type | Resistive Touch (for AR Model) Projected Capacitive Touch (for AP Model) Glass (for AG model) |
| Interface | USB default (Resistive / Projected Capacitive Touch) RS-232 Option (Resistive Touch) |
| Light Transmission(%) | Resistive Touch : over 80% Projected Capacitive Touch : over 90% |

| Power | |
|-------------------|------------------------|
| Power Input | DC 9~36V |
| Power Consumption | ARCDIS-112AP: 9W (MAX) |

| Mechanical | |
|--------------------|------------------------------------|
| Construction | Aluminum die-casting chassis |
| Mounting | Panel mount / VESA mount 100 x 100 |
| IP Rating | IP66 compliant front panel |
| Dimensions (WxHxD) | 319 x 245 x 51.68 mm |
| Net Weight | 2.6 kg |

Dimensions



| Environmental | |
|-----------------------|----------------------------------|
| Operating Temperature | 0~50°C / -20~60°C for option |
| Storage Temperature | -30~70°C |
| Humidity | 10 to 95% @ 40°C, Non-condensing |
| Certificate | CE/FCC, Class A |

| Ordering Information | |
|----------------------|--|
| ARCDIS-112AR | 12.1" SVGA FPD Industrial display, Resistive touch window, VGA, DVI-D, HDMI, and DP input, 5 keys Rear OSD, DC 9~36V power input with adapter, Aluminum Die-casting Chassis |
| ARCDIS-112AP | 12.1" SVGA FPD Industrial display, Projected Capacitive touch screen, VGA, DVI-D, HDMI, and DP input, 5 keys Rear OSD, DC 9~36V power input with adapter, Aluminum Die-casting Chassis |