

Features

- 10.1" Food Industrial Panel PC
- Intel Celeron N2930 Processor
- Onboard 4GB DDR3L 1333 MHz
- Flat and stainless steel front panel design
- Fanless design
- Wide range DC 9~36V power input

Specifications

System	
CPU	Onboard Intel Celeron N2930 Processor (2M Cache, 1.83GHz)
System Chipset	SoC
Memory	Onboard 4GB DDR3L SDRAM

IO Port	
USB	2 x USB 3.0 type A
Serial / Parallel	1 x RS-232/422/485 DB-9, default RS-232(COM1) 1 x RS-232 DB-9(COM2)
LAN	2 x GbE LAN RJ-45
Audio	1 x Line Out
Power	1 x 3-pin DC Power input terminal 1 x 2-pin connector for power on/off button

Option	VESA Stand 4G LTE/Wi-Fi/BT 4 x USB 2.0 (TB-528U4) 4 x USB 2.0 + 1 x Mini PCIe + 1 x SIM slot (TB-528U4ME1) 1 x COM (RS-232) + 2 x USB 2.0 (TB-528C1U2) 1 x COM (RS-232) + 2 x USB 2.0 + 1 x Power Button (TB-528C1U2P1) 2 x COM (RS-232) (TB-528C2) 2 x COM (RS-232) + 1 x Mini PCIe slot + 1 x SIM slot (TB-528C2ME1) 2 x COM (RS-422/485, isolated) (TB-528C2I) 2 x CAN (TB-528CAN2) 1 x LAN + 2 x USB 2.0 (TB-528E1U2) 1 x LAN + 2 x USB 2.0, 25W (TB-528NE1U2POE)* 1 x LAN + 2 x USB 2.0, 25W (TB-528E1U2POE)* UPS Battery 21W/10.8Wh/1.95Ah(3S1P) System is only allowed to build in either I/O board TB-528 series or UPS battery
--------	---

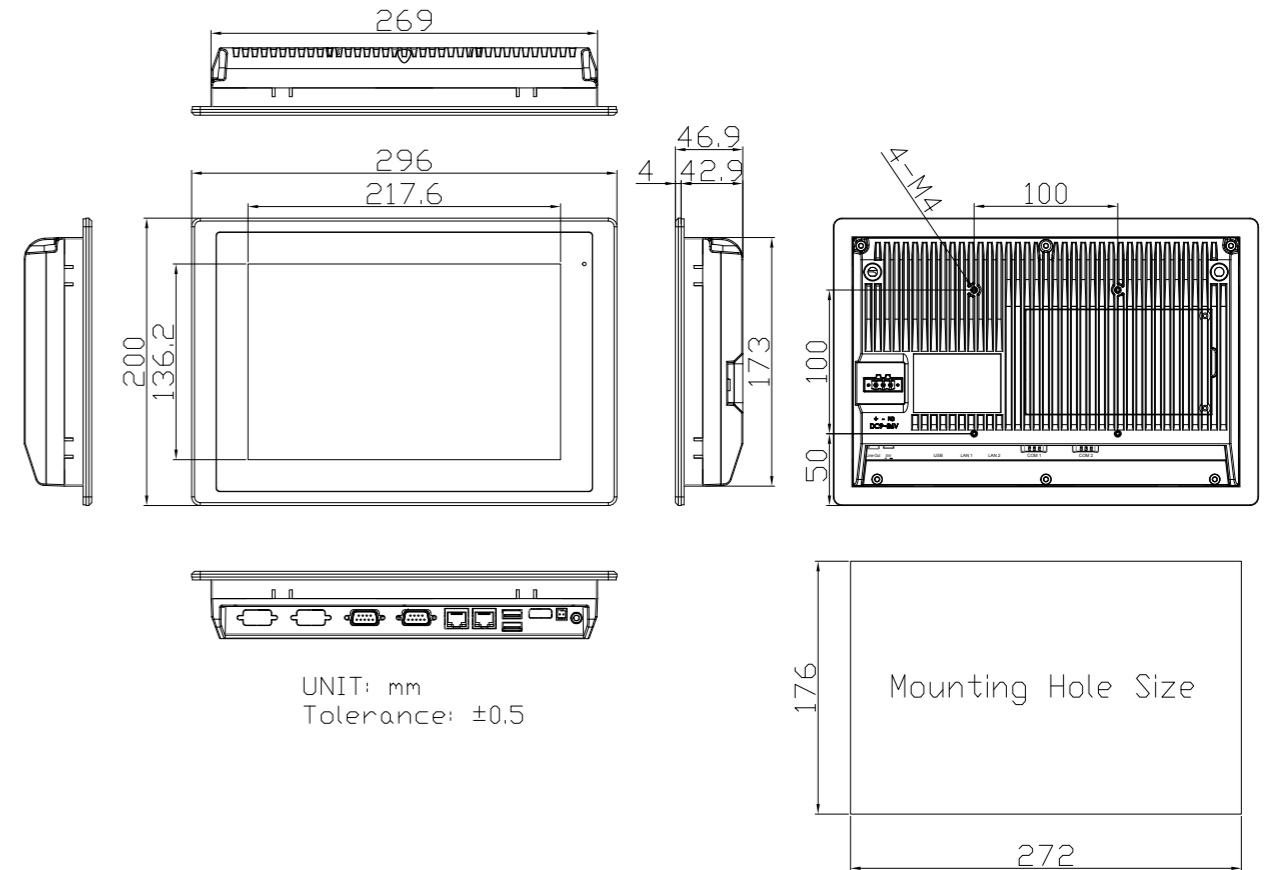
Storage Space	
HDD/SSD	1 x 2.5" SATA HDD/SSD bay (Easy Accessible)
Others	1 x internal SD slot onboard

Expansion	
Expansion Slot	1 x Internal Mini-PCIe slot full size 1 x SD card holder

Display	Standard	High Brightness Optional
Display Type	10.1" TFT-LCD	10.1" TFT-LCD
Max. Resolution	1280 x 800	1280 x 800
Max. Color	16.7M	16.7M
Luminance (cd/m <sup>2</sup> )	350	1000
View Angle	170(H) / 170(V)	170(H) / 170(V)
Contrast	800:1	1000:1
Backlight Lifetime	25,000 hrs	50,000 hrs

Touch Screen	
Type	Projected Capacitive Touch (for P model) Resistive Touch (for R model) Glass (for G model)
Interface	USB
Light Transmission(%)	Resistive Touch: over 80% Projected Capacitive Touch: over 90%

Dimensions



UNIT: mm  
Tolerance: ±0.5

Power

Power Input	DC 9~36V
Power Consumption	FABS-810P: 28W (MAX)

Mechanical

Construction	304 Stainless steel front bezel (Default) 316 Stainless steel front bezel (Optional) Aluminum die-casting back cover
Mounting	Panel mount, VESA mount 100 x 100
IP Rating	IP66/IP69K compliant front bezel
Dimensions	296 x 200 x 46.9 mm
Net Weight	2.5 kg

Environmental

Operating Temperature	0~50°C / -20~60°C (option)
Storage Temperature	-30~70°C
Humidity	10 to 95% @ 40°C, non- condensing
Certificate	R/P/G/RH/PH/GH Model: CE/FCC Class A P/G Model: EN 1672-2 (option)

Operating System Support

Windows 10 IoT	
----------------	--

Ordering Information

FABS-810P (Barebone)	10.1" WXGA fanless HMI barebone with Celeron N2930(1.83.GHz ) CPU, 4GB DDR3L RAM, Projected Capacitive touch,, 9~36VDC input with adapter, Stainless front bezel and Aluminum chassis.
FABS-810G (Barebone)	10.1" WXGA fanless HMI barebone with Celeron N2930 (1.83.GHz ) CPU, 4GB DDR3L RAM, Protection Glass, 9~36V DC input with adapter, Stainless front bezel and Aluminum chassis.

\*PoE limitation: CPU turbo off, rear I/O no loading, 70% LED backlight, PSE cable length < 50m

