

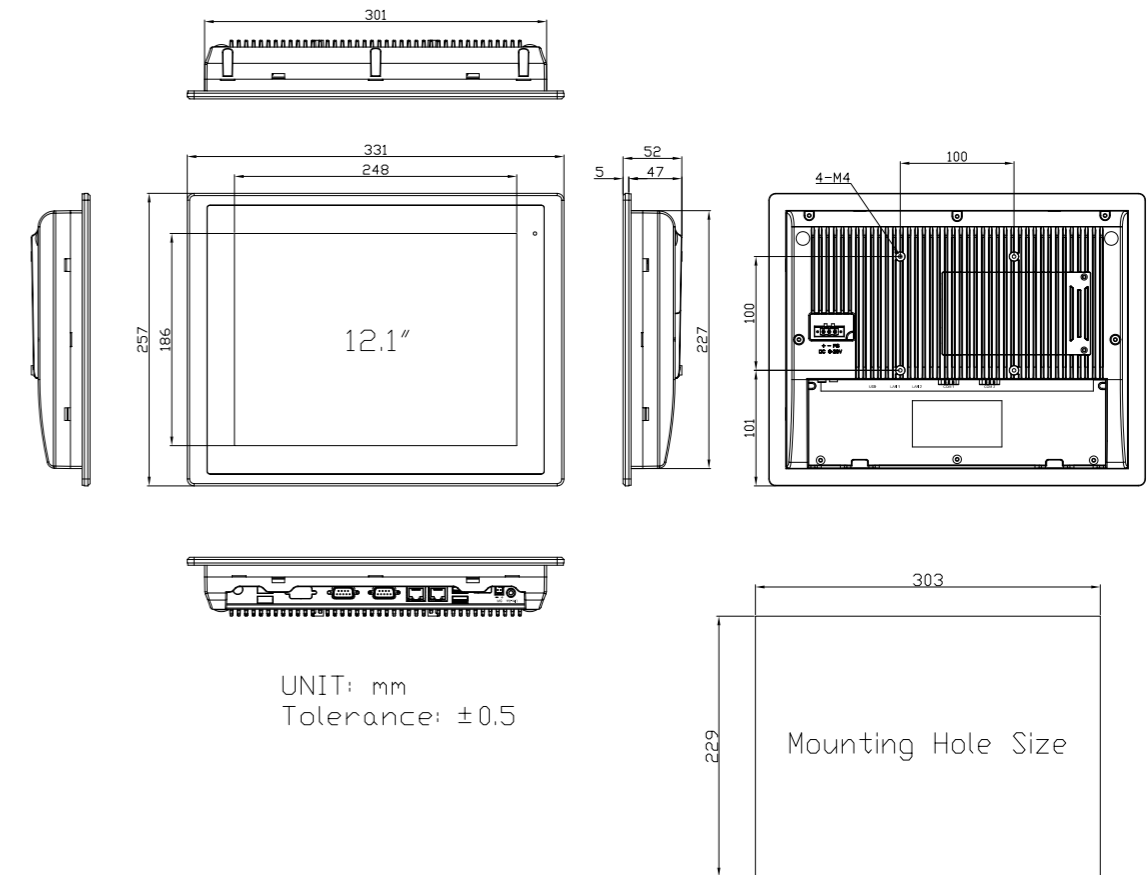
Features

- 12.1" Food Industrial Panel PC
- 6th/7th Gen. Intel Core i3/i5/i7 Processors
- DDR4 SO-DIMM Socket
- Flat and stainless steel front panel design
- Fanless design
- Wide range DC 9~36V power input

Specifications

System		
CPU	6th/7th Gen. Intel Core i3/i5/i7 Processors	
System Chipset	SoC	
Memory	1 x 260 pin SO-DIMM DDR4 up to 16GB 2133MHz	
IO Port		
USB	2 x USB 3.0 type A	
Serial / Parallel	1 x RS-232/422/485 DB-9, default RS-232(COM1) 1 x RS-232 DB-9(COM2)	
LAN	2 x GbE LAN RJ-45	
Audio	1 x Line Out	
Power	1 x 3-pin DC Power input terminal 1 x 2-pin connector for power on/off button	
Option	VESA Stand 4G LTE/Wi-Fi/BT 4 x USB 2.0 (TB-528U4) 4 x USB 2.0 + 1 x Mini PCIe + 1 SIM slot (TB-528U4ME1) 1 x COM + 2 x USB 2.0 (TB-528C1U2) 1 x COM + 2 x USB 2.0 + 1 x Mini PCIe + 1 x Power Button (TB-528C1U2P1) 2 x COM(RS-232) (TB-528C2) 2 x COM(RS-232) + 1 x Mini PCIe slot + 1 x SIM slot (TB-528C2ME1) 2 x COM(RS-232/485, isolated) (TB-528C2I) 2 x CAN (TB-528CAN2) 1 x LAN + 2 x USB 2.0 (TB-528E1U2) 1 x LAN + 2 x USB 2.0, 45W PoE (TB-528E1U2UPOE)* UPS Battery 21W/10.8Wh/1.95Ah(3S1P) System is only allowed to build in either I/O board TB-528 series or UPS battery	
Storage Space		
HDD/SSD	1 x 2.5" SATA HDD space (Easily Accessible)	
Expansion		
Expansion Slot	1 x Internal Mini-PCIe slot full size	
Display		
	Standard	High Brightness Optional
Display Type	12.1" TFT-LCD	12.1" TFT-LCD
Max. Resolution	800 x 600 1024 x 768	800 x 600 1024 x 768
Max. Color	262K / 16.2M	16.2M / 262K
Luminance (cd/m ²)	450 / 500	1000 / 1000
View Angle	178(H) / 178(V) 178(H) / 178(V)	178(H) / 178(V) 160(H) / 140(V)
Contrast	1500:1 / 1000:1	700:1 / 700:1
Backlight Lifetime	50,000 hrs 30,000 hrs	50,000 hrs 50,000 hrs
Touch Screen		
Type	Projected Capacitive Touch (for AP model) Resistive Touch (for AR model) Glass (for AG model)	
Interface	USB	
Light Transmission(%)	Resistive Touch: 80% Projected Capacitive: 90%	

Dimensions



Power	
Power Input	DC 9~36V
Power Consumption	FABS-912AR: 46W (MAX)
Mechanical	
Construction	304 Stainless steel front bezel (Default) 316 Stainless steel front bezel (Optional) Aluminum die-casting back cover
Mounting	Panel mount, VESA mount 100 x 100
IP Rating	IP66/IP69K compliant front bezel
Dimensions	331 x 257 x 52 mm
Net Weight	3.4 kg
Environmental	
Operating Temperature	0~50°C
Storage Temperature	-30~70°C
Humidity	10 to 95% @ 40°C, non-condensing
Certificate	AR/AP/AG/ARH/APH/AGH Model: CE/FCC Class A AP/AG Model is compliance with EN 1672-2 (option)
Operating System Support	
Windows 10 IoT	
Ordering Information	
FABS-912AR/P (Barebone)	12.1" SVGA fanless HMI barebone with Intel 6th Core i3-6100U CPU, DDR4 SO-DIMM Socket, Resistive / Projected Capacitive touch, 9~36V DC input with adapter, Stainless front bezel and Aluminum chassis.
FABS-912AG (Barebone)	12.1" SVGA fanless HMI barebone with Intel 6th Core i3-6100U CPU, DDR4 SO-DIMM Socket, Glass, 9~36V DC input with adapter, Stainless front bezel and Aluminum chassis.

*PoE limitation: CPU turbo off, rear I/O no loading, 70% LED backlight, PSE cable length < 50m