

15"17"19"Intel Atom D2550 Low Power Consumption IP65/IP69K Stainless Steel Panel PC



Features

- Fanless and Low Power Consumption Stainless Steel Panel PC
- Intel® Atom™ Processor D2550(1M Cache, 1.8GHz)
- Onboard 2GB DDR3, option 4G for15"
- Onboard 4GB DDR3 for 17"/19"
- 11~32V DC wide-ranging power input
- M12 I/O Connector
- Full Flat bezel Design, Total 6 sides IP 65/ IP69K
- Projective capacitive touch/ Resistive Type

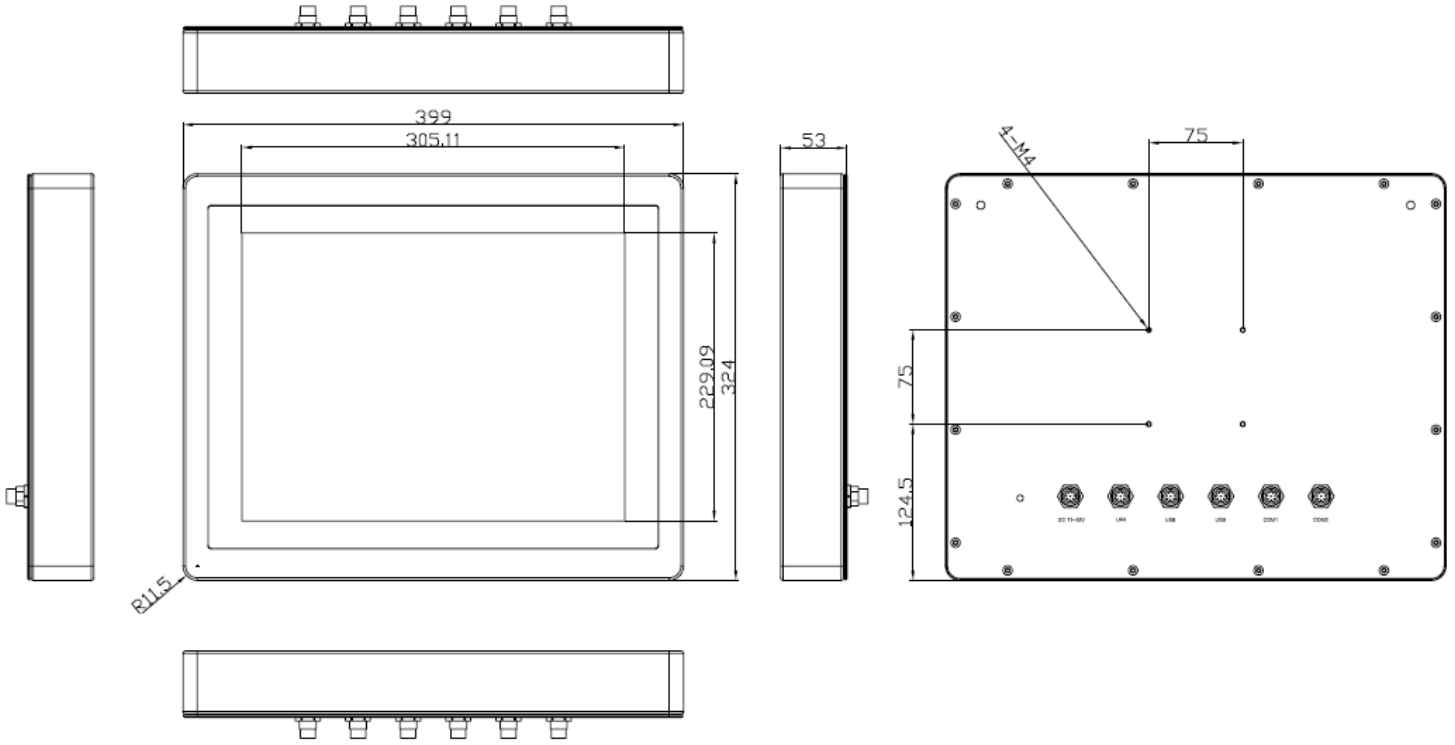
Specifications

	APC-3593P(R)	APC-3793P(R)	APC-3993P(R)
System			
CPU	Intel® Atom Processor D2550(1M Cache, 1.8GHz)		
Motherboard	SBC-7106-D2550 for 15" SBC-7106A-D2550-4G for 17"/19"		
System Chipset	Intel NM10 Express		
System Memory	Onboard DDR3 2GB (Default), option 4G for 15" Onboard DDR3 4GB for 17"/19"		
IO Port			
USB	1 x M12 8pin for 2 x USB 1 x M12 8pin for 2 x USB		
Serial/Parallel	1 x M12 8pin for COM 1/RS-232/422/485 (Default RS-232) 1 x M12 8pin for COM 2/RS-232		
Audio	NA		
LAN	1 x M12 8pin for LAN1		

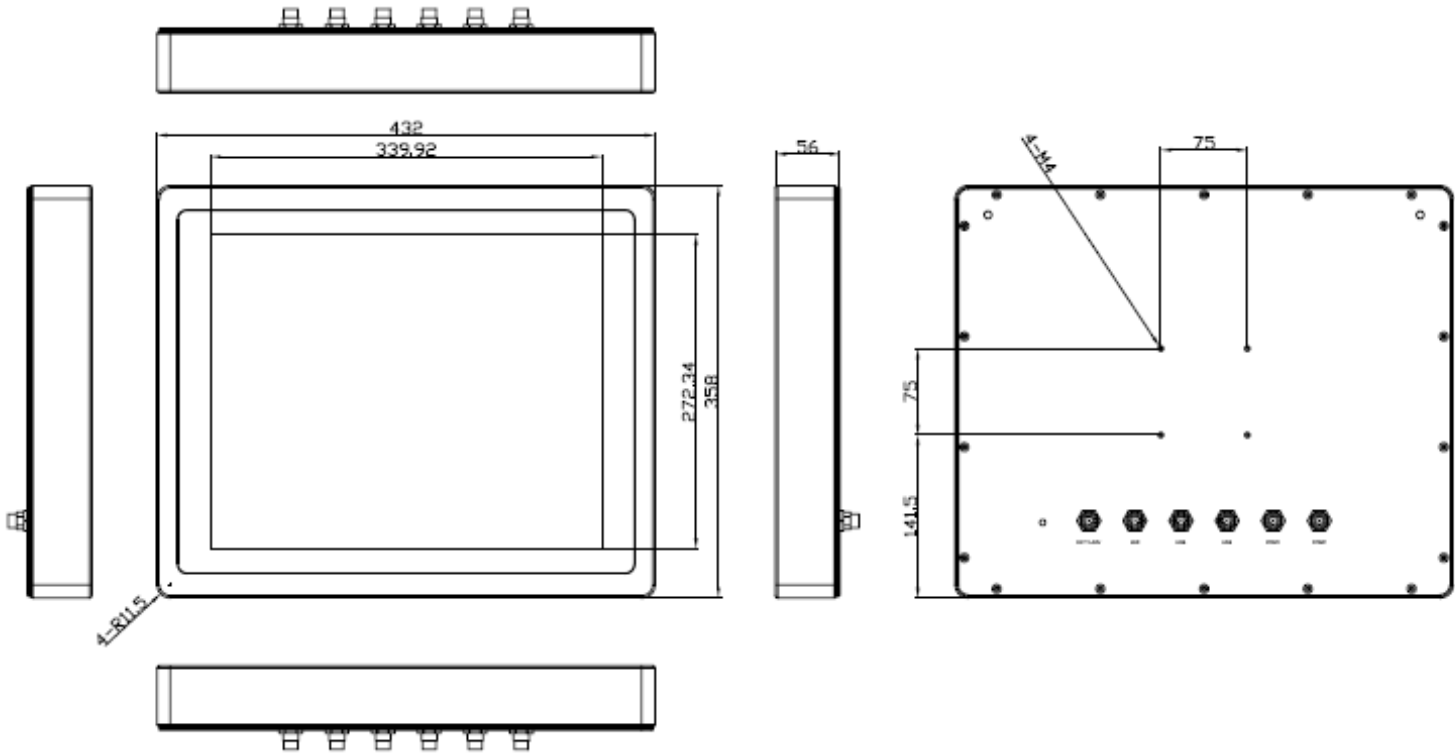
Power	1 x M12 3pin DC power connector		
Storage Space			
HDD	1 x 2.5" SATA HDD or SSD		
Movable device	1 x Internal SD Card slot on board		
Expansion			
On board expansion bus	1 x Mini PCIe half size slot		
Display			
Display Type	15" TFT-LCD	17" TFT-LCD	19" TFT-LCD
Max. Resolution	1024x768	1280x1024	1280x1024
Max. Color	16.7M	16.7M	16.7M
Contrast Ratio	800: 1	1000: 1	1000: 1
Luminance (cd/m ²)	400	350	350
View angle(H°/V°)	160/145	170/170	170/165
Backlight Lifetime	50,000 hrs	50,000 hrs	50,000 hrs
Touch screen – Resistive Touch Screen (for APC-3X93R)			
Interface	RS-232	USB	USB
Light Transmission	Over 80%		
Touch screen – Projected Capacitive Touch Screen(for APC-3X93P)			
Interface	USB		
Light Transmission	Over 90%		
Power			
Power Input	11~32V DC		
Power Consumption	Max:19.5W	Max:21.3W	Max:32W
Mechanical			
Construction	Stainless steel		
IP Rating	Total IP65 6 sides / IP69 K		
Mounting	VESA Mount 75 x 75		VESA Mount 100 x 100
Dimension (mm)	399 x 324 x 53	432 x 358 x 56	470 x 388.6 x 60
Net Weight (Kgs)	6.5KG	7.2KG	9.6KG
Environmental			
Operating temperature(°C)	0°C to 50°C (with HDD) -20~60 (with Industrial SSD or CF)		
Storage temperature(°C)	-30~70°C		
Storage humidity	10 to 90% @ 40°C, non- condensing		
Certification	CE / FCC Class A		
Operating System Support	WES7 32-bit, W7PES		

Dimension

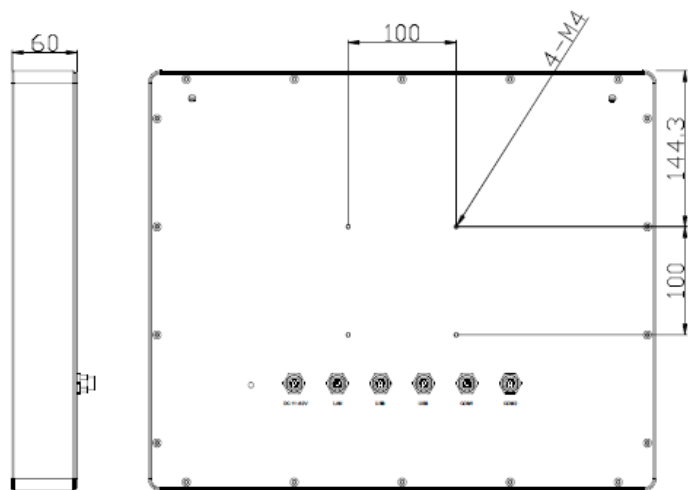
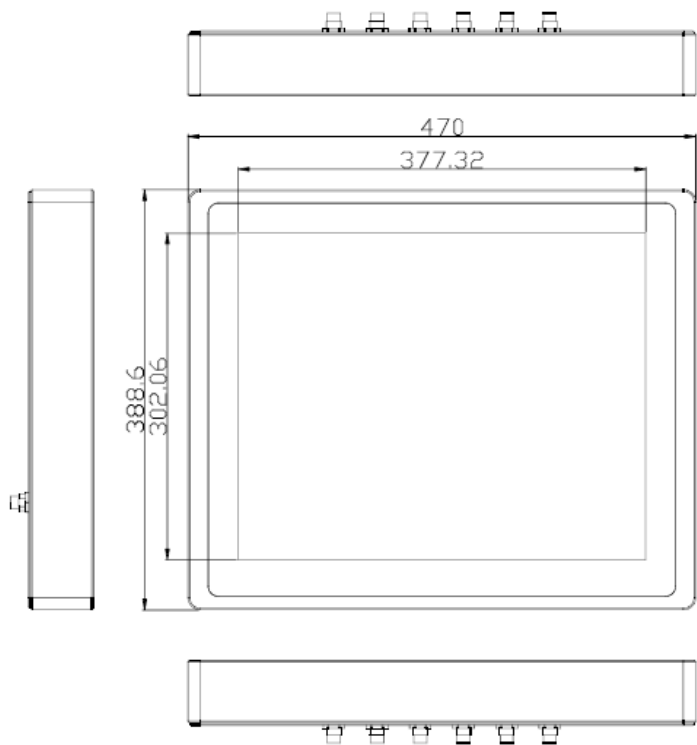
APC-3593P(R)



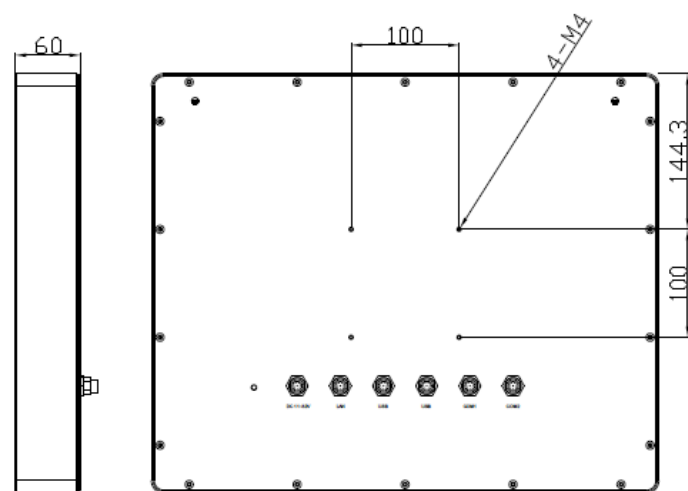
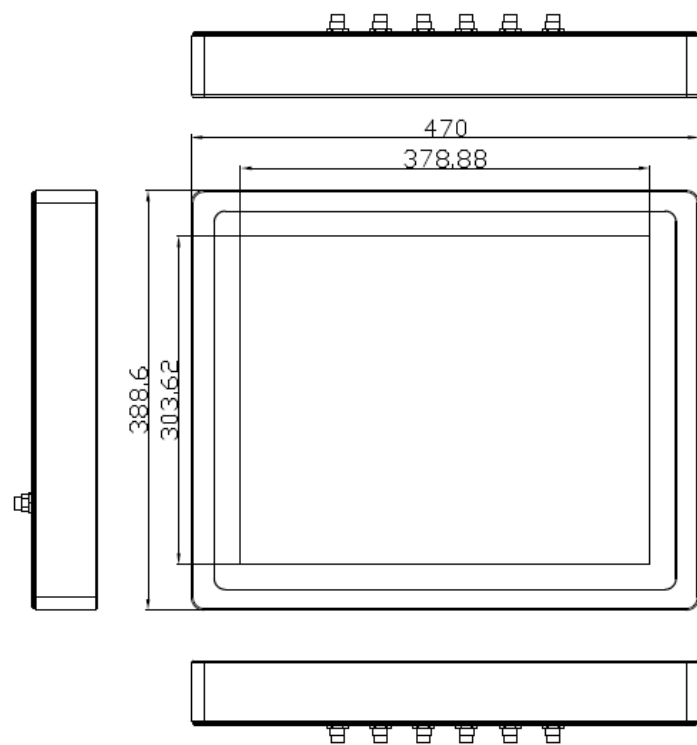
APC-3793P(R)



APC-3993P



APC-3993R



UNIT: mm
Tolerance: $\pm 0,5$

Ordering Information

Model No.	Description
APC-3593P-01	15" XGA IP65/IP69K full flat bezel design stainless steel panel PC , Intel ATOM D2550 1.8G processor, DDR3 2G on board, 2.5" SATA 2 320GB Industrial HDD, with projective capacitive touch, 11~32V DC power input with Adaptor, stainless steel enclosure
APC-3593R-01	15" XGA IP65/IP69K full flat bezel design stainless steel panel PC , Intel ATOM D2550 1.8G processor, DDR3 2G on board, 2.5" SATA 2 320GB Industrial HDD, with RES. Touch Window, 11~32V DC power input with Adaptor, stainless steel enclosure
APC-3793P-05	17" SXGA IP65/IP69K full flat bezel design stainless steel panel PC, Intel ATOM D2550 1.8G processor, DDR3 4G on board, 2.5" SATA 2 320GB Industrial HDD, with projective capacitive touch, 11~32V DC power input with Adaptor, stainless steel enclosure
APC-3793R-01	17" SXGA IP65/IP69K full flat bezel design stainless steel panel PC, Intel ATOM D2550 1.8G processor, DDR3 4G on board, 2.5" SATA 2 320GB Industrial HDD, with RES. Touch Window, 11~32V DC power input with Adaptor, stainless steel enclosure
APC-3993P-04	19" SXGA IP65/IP69K full flat bezel design stainless steel panel PC, Intel ATOM D2550 1.8G processor, DDR3 4G on board, 2.5" SATA 2 320GB Industrial HDD, with projective capacitive touch, 11~32V DC power input with Adaptor, stainless steel enclosure
APC-3993R-02	19" SXGA IP65/IP69K full flat bezel design stainless steel panel PC, Intel ATOM D2550 1.8G processor, DDR3 4G on board, 2.5" SATA 2 320GB Industrial HDD, with RES. Touch Window, 11~32V DC power input with Adaptor, stainless steel enclosure