

Features

- 12.1" Industrial Compact Size Panel PC
- Intel 6th Gen. Core i3(standard) / i5(option) CPU built-in
- 1 x 260-pin SO-DIMM DDR4 up to 16GB 2133MHz
- Flat Front Panel Touch Screen
- Fanless Design
- DC 9~36V Wide-Ranging Power Input
- Optional Projected Capacitive Touch Screen Support 7H Anti-Scratch Surface
- High Brightness 1,000 nits for Option

Specifications

| System | |
|-------------------|--|
| CPU | Onboard 6th Gen. Intel Core i3/i5(option) Processors |
| System Chipset | SoC |
| Memory | 1 x 260-pin SO-DIMM DDR4 up to 16GB 2133MHz |
| I/O Port | |
| USB | 2 x USB 3.0 type A 1 x DB-9 RS-232/422/485, COM1 (Default RS-232) |
| Serial / Parallel | 1 x RS-232 DB-9, COM2 |
| Audio | 1 x Audio Line Out |
| LAN | 2 x GbE LAN RJ-45 |
| Power | 1 x 3-pin DC power input terminal 1 x 2-pin connector for power on/off |
| Option | VESA Stand 4G LTE/Wi-Fi/BT 4 x USB 2.0 type A (TB-528U4) 4 x USB 2.0 type A + 1 x Mini PCIe + 1 SIM slot (TB-528U4ME1) 1 x COM + 2 x USB 2.0 (TB-528C1U2) 1 x COM (RS-232) + 2 x USB 2.0 + 1 x Power Button (TB-528C1U2P1) 2 x COM (RS-232) (TB-528C2) 2 x COM (RS-232) + 1 x Mini PCIe slot + 1 x SIM slot (TB-528C2ME1) 2 x COM (RS-232/485, isolated) (TB-528C2I) 2 x CAN (TB-528CAN2) 1 x LAN + 2 x USB 2.0 (TB-528E1U2) 1 x LAN + 2 x USB 2.0, 45W PoE (TB-528E1U2UPOE)* UPS Battery 21W/10.8Wh/1.95Ah (3S1P) System is only allowed to build in either I/O board TB-528 series or UPS battery |

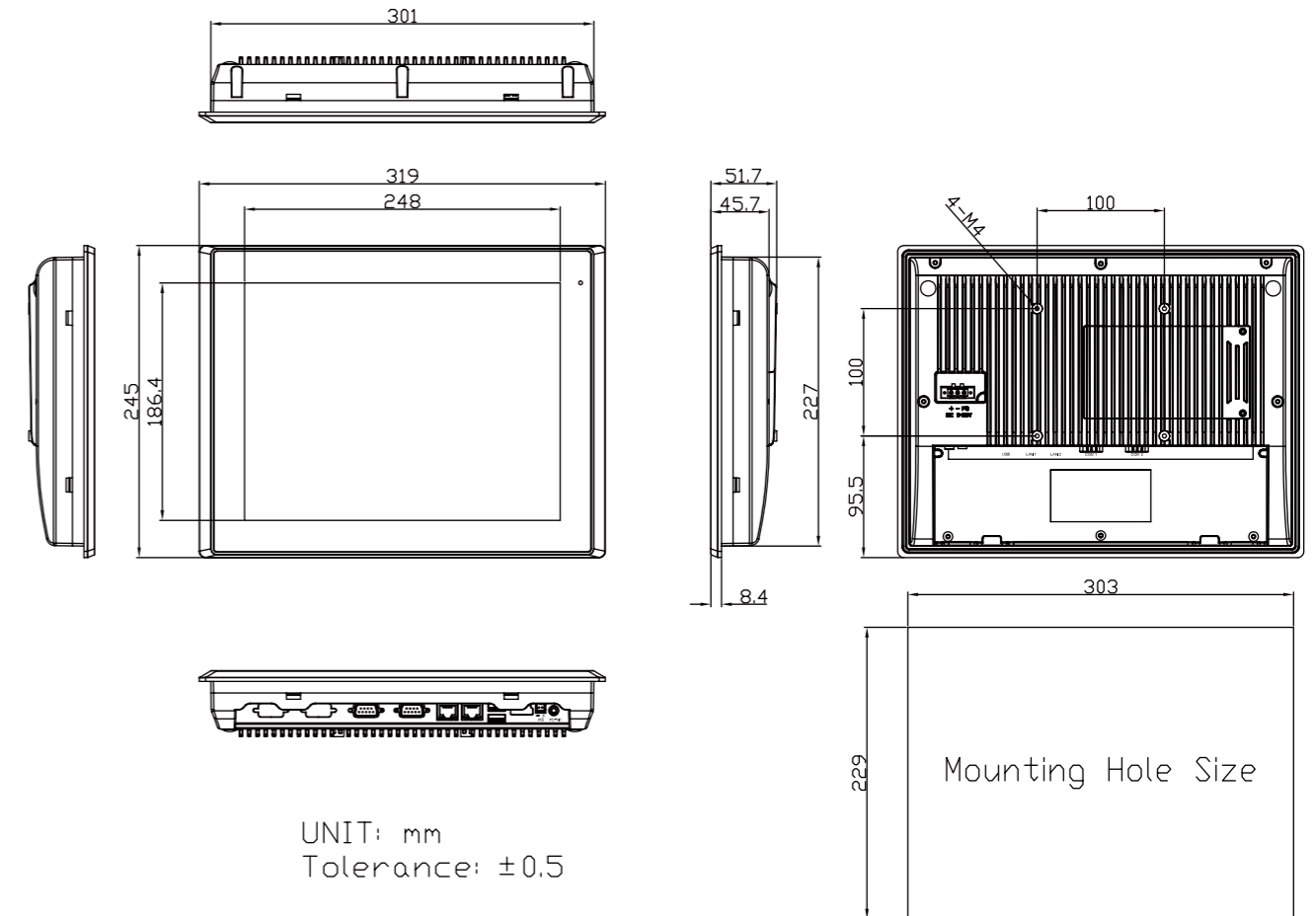
| Storage Space | |
|---------------|--|
| HDD | 1 x 2.5" SATA HDD bay for SATA HDD (Easy Accessible) |

| Expansion | |
|----------------|---------------------------------------|
| Expansion Slot | 1 x Internal Mini-PCIe slot full size |

| Display | Standard | High Brightness Optional |
|--------------------------------|---------------------------------------|---------------------------------------|
| Display Type | 12.1" TFT LCD | 12.1" TFT LCD |
| Max. Resolution | 800 x 600 1024 x 768 | 800 x 600 1024 x 768 |
| Max. Color | 262K/16.2M | 16.2M / 262K |
| Luminance (cd/m ²) | 450/500 | 1000 |
| View Angle | 178(H)/178 (SVGA) 178(H)/178 (XGA) | 178(H)/178 (SVGA) 160(H)/140 (XGA) |
| Contrast | 1500:1/1000:1 | 700:1 |
| Backlight Lifetime | 50,000 hrs (SVGA) 30,000 hrs (XGA) | 50,000 hrs (SVGA) 50,000 hrs (XGA) |

| Touch Screen | |
|-----------------------|---|
| Type | Resistive Touch (for AR Model) / Projected Capacitive Touch (for AP Model) / Glass (for AG model) |
| Interface | USB |
| Light Transmission(%) | Resistive Touch: over 80% Projected Capacitive Touch: over 90% |

Dimensions



| Power | |
|-------------------|-------------------------|
| Power Input | DC 9~36V |
| Power Consumption | ARCHMI-912AR: 47W (MAX) |

| Mechanical | |
|--------------------|------------------------------|
| Color | RAL 9007 |
| Construction | Aluminum die-casting chassis |
| Mounting | Panel Mount, VESA 100 x 100 |
| Dimensions (WxHxD) | 319 x 245 x 51.7 mm |
| IP Rating | IP66 Compliant Front Bezel |
| Net Weight | 2.6 kg |

| Environmental | |
|-----------------------|---------------------------------|
| Operating Temperature | 0~50°C / -20~60°C (option) |
| Storage Temperature | -30~70°C |
| Humidity | 10 to 95%@ 40°C, non-condensing |
| Certificate | CE / FCC, Class A / UL |

| Operating System Support | |
|--------------------------|--|
| Windows 10 IoT | |

| Ordering Information | |
|----------------------|---|
| ARCHMI-912AR | 12.1" SVGA fanless HMI barebone with Intel 6th Gen. Core i3-6100 CPU, 1 x SO-DIMM(260pins), Up to 16GB DDR4 2133MHz, Resistive touch screen, 9~36VDC input with adapter, Aluminum chassis |
| ARCHMI-912AP | 12.1" SVGA fanless HMI barebone with Intel 6th Gen Core i3-6100 CPU, 1 x SO-DIMM(260pins), Up to 16GB DDR4 2133MHz, Projected Capacitive touch screen, 9~36VDC input with adapter, Aluminum chassis |

*PoE limitation: CPU turbo off, rear I/O no loading, 70% LED backlight, PSE cable length < 50m