

Features

- Stainless steel front bezel Display
- Flat front panel touch screen
- Projected Capacitive Touch or Glass (Option)
- Wide range DC 9~36V power input
- IP66 compliant front panel / IP69K for option
- VGA, DP, DVI/HDMI input
- OSD on the rear side
- System Power LED light
- High brightness LCD for option

Specifications

I/O Port	
VGA	1 x VGA
DVI	1 x DVI-D (share with HDMI)
DP	1 x DP
HDMI	1 x HDMI (share with DVI-D)
Audio	1 x Audio line-in phone jack
OSD Control Membrane	OSD at rear side On board controller, extendable key pad from connector
Power	1 x 3-pin terminal block for DC 9~36V power input
Others	1 x USB type B for touch control Optional I/O: 1 x Speaker

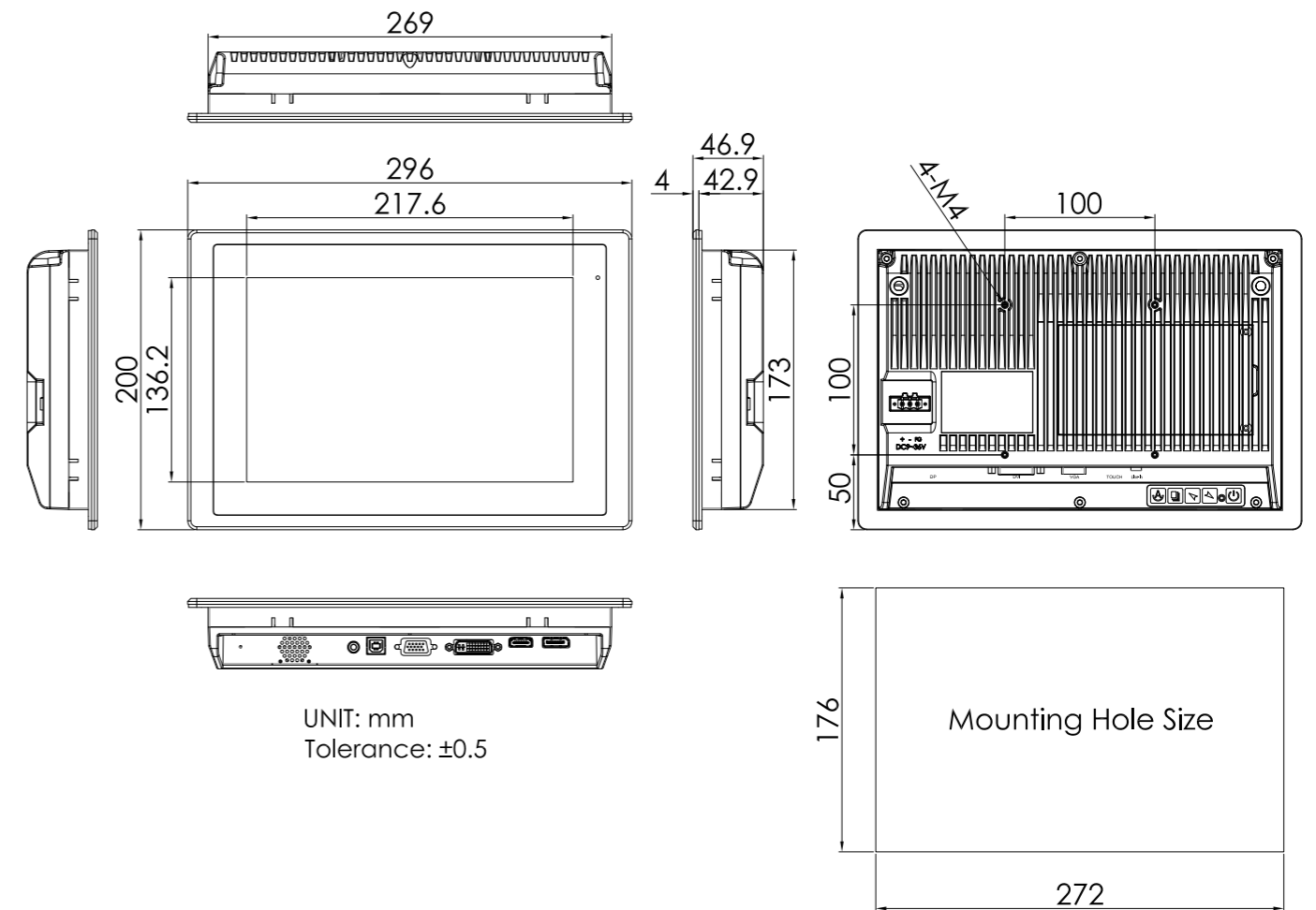
Display	Standard	High Brightness Optional
Display Type	10.1" TFT LCD	10.1" TFT LCD
Max. Resolution	1280 x 800	1280 x 800
Max. Color	16.7M	16.7M
Luminance (cd/m ²)	350/300	1000
View Angle	170(H) / 170(V)	170(H) / 170(V)
Contrast	800:1/1300:1	1000:1
Backlight Lifetime	25,000 hrs	50,000 hrs

Touch Screen	
Type	Projected Capacitive Touch (For FABS-110P model) Glass-AR (For FABS-110G model)
Interface	USB Interface
Light Transmission(%)	Over 90%

Power	
Power Input	DC 9~36V
Power Consumption	TBD

Mechanical	
Construction	Aluminum die-casting chassis
Mounting	Panel mount / VESA mount 100 x 100
IP Rating	IP66 compliant front panel / IP69K(option)
Dimensions (WxHxD)	296 x 200 x 46.9 mm
Net Weight	TBD

Dimensions



Environmental	
Operating Temperature	0~50°C
Storage Temperature	-30~70°C
Storage Humidity	10 to 90% @ 40°C, Non-condensing
Certificate	CE/FCC, Class A