

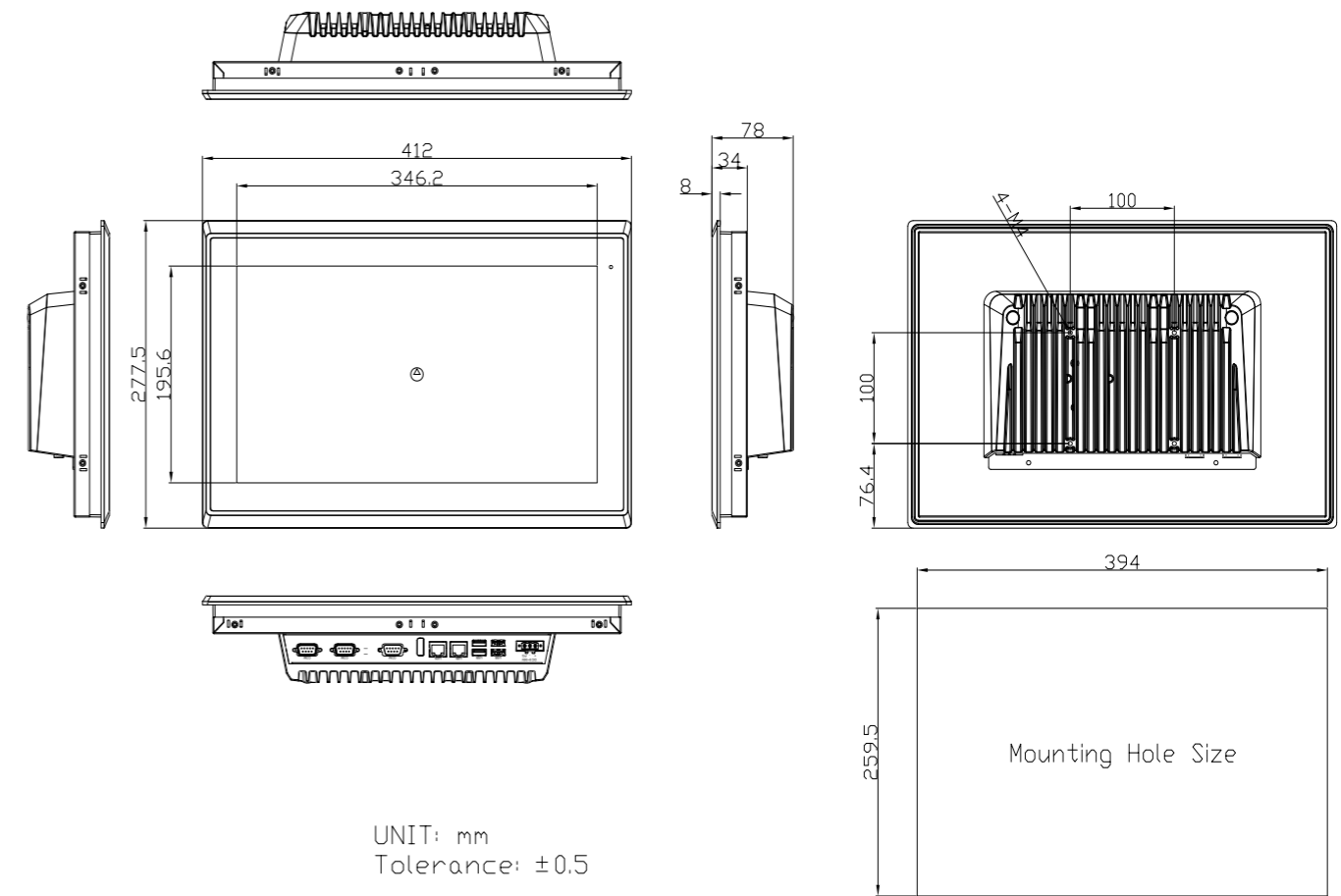
Features

- 15.6" Industrial Compact Size Panel PC
- Intel Celeron N97/X7425E Processor(Alder Lake-N)/ (Option) Intel N150/Intel Core i3-N355 (Processor N)
- 1 x DDR5-4800MHz SO-DIMM socket, up to 32GB/ (Option) Intel N150/Intel Core i3-N355 up to 16GB
- IP66 Compliant Aluminum Front Bezel
- Support Resistive touch screen and Projected Capacitive Multi-touch screen
- Support Auto-Dimming (for option)
- Support High Brightness LCD (for option)
- Fanless Design
- DC 9~36V Wide Range Power Input

Specifications

| System | |
|--------------------------------|---|
| CPU | Default: · (Alder Lake-N) Intel N97 Processor, 4C/4T, 2.0GHz, TDP is 12W Option: · Embedded (Alder Lake-N) Intel Atom x7425E, 4C/4T, 1.50GHz, TDP is 12W · Mobile (Processor N) Intel N150 Processor, 8C/8T, 0.8GHz, TDP is 6W Intel N355 Processor, 8C/8T, 1.9GHz, TDP is 15W |
| System Chipset | SoC |
| Memory | 1 x DDR5-4800MHz SO-DIMM socket, up to 32GB (Alder Lake-N) 1 x DDR5-4800MHz SO-DIMM socket, up to 16GB (Processor N) |
| BIOS | AMI UEFI |
| I/O Port | |
| USB | 2 x USB 3.2 Gen1 Type-A, 2 x USB 2.0 Type-A |
| Serial / Parallel | 1 x DB9 Type RS-232/422/485 (COM1, BIOS selection, RS-232 is default) 1 x DB9 Type RS-232/422/485 (COM2, BIOS selection, RS-232 is default) 1 x DB9 Type RS-232(COM3) |
| LAN | 2 x RJ-45 Type Intel I226V/IT 2.5GbE LAN (PXE/WOL) |
| Power | 1 x Terminal Block Type, DC 9~36V Power Input |
| Storage Space | |
| HDD/SSD | 1 x M.2 2280 M-Key socket (SATA 3.0, PCIe x1), Default is SATA Type |
| Expansion | |
| Expansion slot | 1 x M.2 2230 E-Key (USB2.0, PCIe x1) for optional Wi-Fi/BT Module 1 x M.2 2242/3402/3052 B-Key (PCIe x1, USB3.2 Gen1, USB2.0) for optional LTE/5G Module 1 x Nano-SIM slot |
| Storage Space | |
| TPM | Onboard TPM2.0 SPI I/F TPM IC |
| Watchdog Timer | 1~255 sec (system) |
| Wake on LAN | Support WOL |
| Display | |
| Display Type | Standard: 15.6" TFT-LCD High Brightness by SKU: 15.6" TFT-LCD |
| Max. Resolution | Standard: 1920 x 1080 High Brightness by SKU: 1920 x 1080 |
| Max. Color | Standard: 16.7M High Brightness by SKU: 16.7M |
| Luminance (cd/m ²) | Standard: 500 High Brightness by SKU: 1000 |
| View Angle | Standard: 178(H)/178(V) High Brightness by SKU: 170(H)/170(V) |
| Contrast | Standard: 1000:1 High Brightness by SKU: 1000:1 |
| Backlight Lifetime | Standard: 50,000 hrs High Brightness by SKU: 50,000 hrs |
| Touch Screen | |
| Type | Resistive Touch (for CR Model) Projected Capacitive Touch (for CP Model) |
| Interface | USB 2.0 |
| Light Transmission(%) | Resistive Touch: 80% / Projected Capacitive Touch: 90% |

Dimensions



| Power | |
|---|---|
| Power Input | DC 9~36V |
| Power Consumption | ARCHMI-S-816CP/R: Around 47W |
| Mechanical | |
| Construction | Aluminum Die-casting Chassis |
| Mounting | Panel Mount, VESA 100 x 100 |
| IP Rating | IP66 Compliant Front Bezel |
| Dimensions (WxHxD) | 412 x 277.5 x 78 mm |
| Net Weight | 4.13 kg |
| Environmental | |
| Operating Temperature | -20~60°C (optional w/ WT RAM/SSD) High Brightness: 0~50°C |
| Storage Temperature | -30~70°C |
| Humidity | 10 to 95%@ 40°C, non-condensing |
| Certificate | CE/FCC Class A |
| Operating System Support | |
| Windows 10 IoT Enterprise 2021 LTSC, Windows 11 (21H2) or later, Linux 22.04 or later | |
| Ordering Information | |
| ARCHMI-S-816CP | 15.6" FHD fanless HMI barebone with Intel Alder Lake-N/Processor N CPU, 1 x DDR5 slot, Projected Capacitive touch, DC 9~36V input with adapter, Aluminum chassis. |
| ARCHMI-S-816CR | 15.6" FHD fanless HMI barebone with Intel Alder Lake-N/Processor N CPU, 1 x DDR5 slot, Resistive touch screen, DC 9~36V input with adapter, Aluminum chassis. |
| ARCHMI-S-816CPH | 15.6" FHD High brightness fanless HMI barebone with Intel Alder Lake-N/Processor N CPU, 1 x DDR5 slot, Projected Capacitive touch, DC 9~36V input with adapter, Aluminum chassis. |
| ARCHMI-S-816CRH | 15.6" FHD High brightness fanless HMI barebone with Intel Alder Lake-N/Processor N CPU, 1 x DDR5 slot, Resistive touch screen, DC 9~36V input with adapter, Aluminum chassis. |