

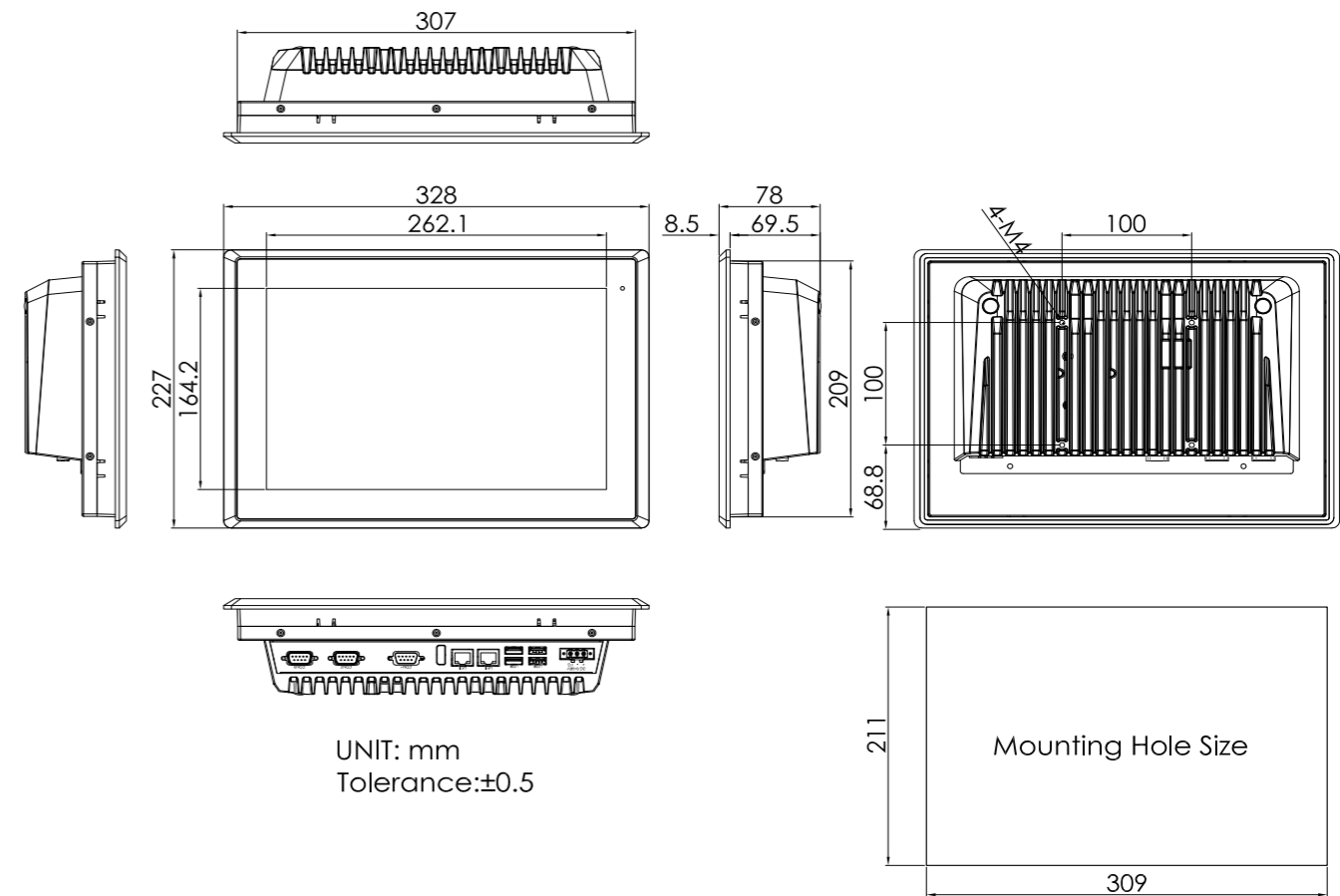
Features

- 12.1" Wide Screen Industrial Compact Size Panel PC
- Intel Celeron N97/X7425E Processor(Alder Lake-N)/ (Option) Intel N150/Intel Core i3-N355 (Processor N)
- 1 x DDR5-4800MHz SO-DIMM socket, up to 32GB/ (Option) Intel N150/Intel Core i3-N355 up to 16GB
- IP66 Compliant Aluminum Front Bezel
- Support Resistive touch screen and Projected Capacitive Multi-touch screen
- Support Auto-Dimming (for option)
- Support High Brightness LCD (for option)
- Fanless Design
- DC 9~36V Wide Range Power Input

Specifications

System	
CPU	<b>Default:</b> · (Alder Lake-N) Intel N97 Processor, 4C/4T, 2.0GHz, TDP is 12W <b>Option:</b> · Embedded (Alder Lake-N) Intel Atom x7425E, 4C/4T, 1.50GHz, TDP is 12W · Mobile (Processor N) Intel N150 Processor, 8C/8T, 0.8GHz, TDP is 6W Intel N355 Processor, 8C/8T, 1.9GHz, TDP is 15W
System Chipset	SoC
Memory	1 x DDR5-4800MHz SO-DIMM socket, up to 32GB (Alder Lake-N) 1 x DDR5-4800MHz SO-DIMM socket, up to 16GB (Processor N)
BIOS	AMI UEFI
I/O Port	
USB	2 x USB 3.2 Gen1 Type-A, 2 x USB 2.0 Type-A
Serial / Parallel	1 x DB9 Type RS-232/422/485 (COM1, BIOS selection, RS-232 is default) 1 x DB9 Type RS-232/422/485 (COM2, BIOS selection, RS-232 is default) 1 x DB9 Type RS-232(COM3)
LAN	2 x RJ-45 Type Intel I226V/IT 2.5GbE LAN (PXE/WOL)
Power	1 x Terminal Block Type, DC 9~36V Power Input
Storage Space	
HDD/SSD	1 x M.2 2280 M-Key socket (SATA 3.0, PCIe x1), Default is SATA Type
Expansion	
Expansion slot	1 x M.2 2230 E-Key (USB2.0, PCIe x1) for optional Wi-Fi/BT Module 1 x M.2 2242/3402/3052 B-Key (PCIe x1, USB3.2 Gen1, USB2.0) for optional LTE/5G Module 1 x Nano-SIM slot
Storage Space	
TPM	Onboard TPM2.0 SPI I/F TPM IC
Watchdog Timer	1~255 sec (system)
Wake on LAN	Support WOL
Display	
Display Type	Standard: 12.1" Wide TFT-LCD High Brightness by SKU: 12.1" Wide TFT-LCD
Max. Resolution	Standard: 1280 x 800 High Brightness by SKU: 1280 x 600
Max. Color	Standard: 16.7M High Brightness by SKU: 16.7M
Luminance (cd/m <sup>2</sup> )	Standard: 400 High Brightness by SKU: 1000
View Angle	Standard: 170(H)/170(V) High Brightness by SKU: 176(H)/176(V)
Contrast	Standard: 1200:1 High Brightness by SKU: 1000:1
Backlight Lifetime	Standard: 50,000 hrs High Brightness by SKU: 50,000 hrs
Touch Screen	
Type	Resistive Touch (for CR Model) Projected Capacitive Touch (for CP Model)
Interface	USB 2.0
Light Transmission(%)	Resistive Touch: 80% / Projected Capacitive Touch: 90%

Dimensions



UNIT: mm  
Tolerance:±0.5

Power	
Power Input	DC 9~36V
Power Consumption	ARCHMI-S-812WCP/R: Around 37W
Mechanical	
Construction	Aluminum Die-casting Chassis
Mounting	Panel Mount, VESA 100 x 100
IP Rating	IP66 Compliant Front Bezel
Dimensions (WxHxD)	328 x 227 x 78 mm
Net Weight	3.16 kg
Environmental	
Operating Temperature	-20~60°C (optional w/ WT RAM/SSD) High Brightness: 0~50°C
Storage Temperature	-30~70°C
Humidity	10 to 95%@ 40°C, non-condensing
Certificate	CE/FCC Class A
Operating System Support	
Windows 10 IoT Enterprise 2021 LTSC, Windows 11 (21H2) or later, Linux 22.04 or later	
Ordering Information	
ARCHMI-S-812WCP	12.1" WXGA fanless HMI barebone with Intel Alder Lake-N/Processor N CPU, 1 x DDR5 slot, Projected Capacitive touch, DC 9~36V input with adapter, Aluminum chassis.
ARCHMI-S-812WCR	12.1" WXGA fanless HMI barebone with Intel Alder Lake-N/Processor N CPU, 1 x DDR5 slot, Resistive touch screen, DC 9~36V input with adapter, Aluminum chassis.
ARCHMI-S-812WCPH	12.1" WXGA High brightness fanless HMI barebone with Intel Alder Lake-N/Processor N CPU, 1 x DDR5 slot, Projected Capacitive touch, DC 9~36V input with adapter, Aluminum chassis.
ARCHMI-S-812WCRH	12.1" WXGA High brightness fanless HMI barebone with Intel Alder Lake-N/Processor N CPU, 1 x DDR5 slot, Resistive touch screen, DC 9~36V input with adapter, Aluminum chassis.