

# ViTAM Stainless Mounting Solution

LCD Monitor Stand / Swing ARM Cable Cover



## Feature

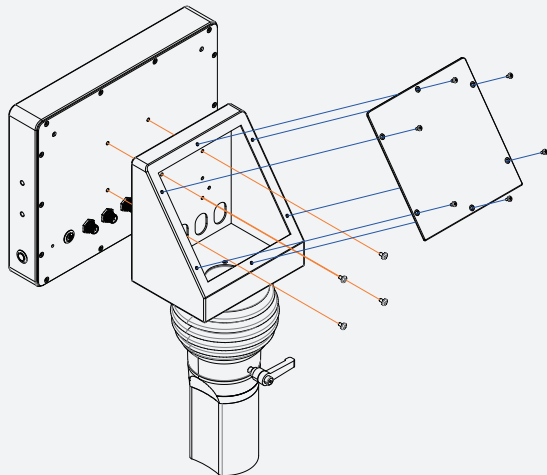
- 304 Stainless Steel
- Top for Swing ARM / Bottom Hole for Stand
- Support all ViTAM Series
- Holds 10.1"~24" LCD Monitor

## Ordering Information

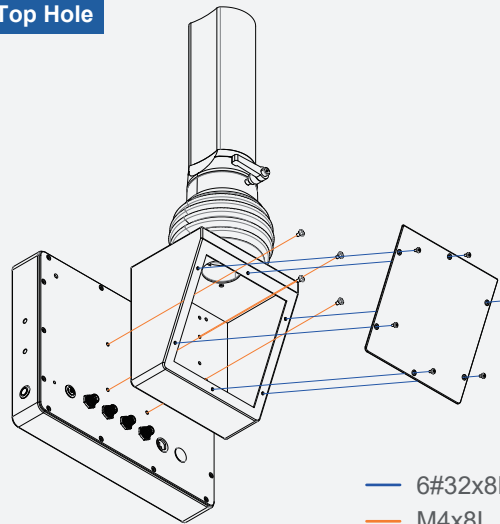
Part No.	Description
9030700521000001	F-101 CABLE COVER/TOP HOLE/S.S 304/75/100MM for 10.1"~21.5"
9030700521000002	F-102 CABLE COVER/BOTTOM HOLE/S.S 304/75/100MM for 10.1"~21.5"

## Mounting Solution

### Bottom Hole



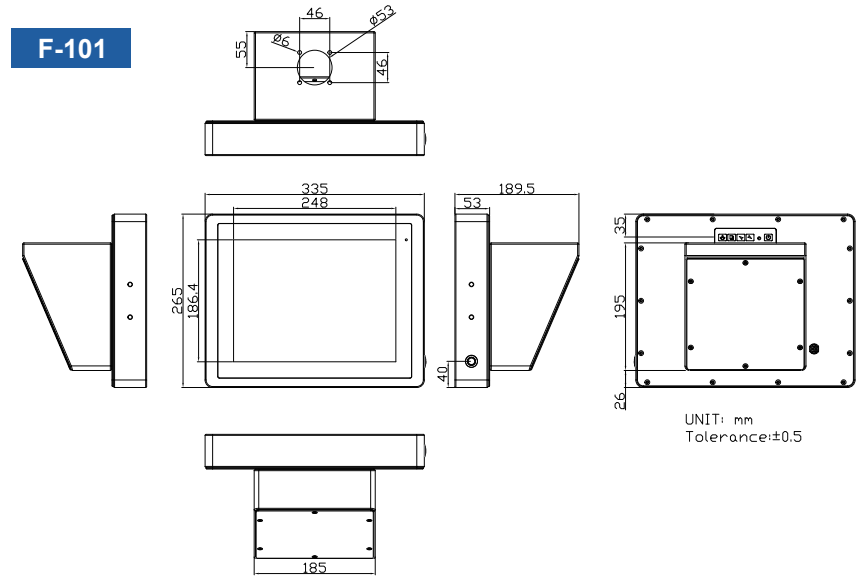
### Top Hole



— 6#32x8L  
— M4x8L

## Dimensions

### F-101



### F-102

