

Features

- Industrial Display
- Flat front panel touch screen
- Fanless design
- AC 90~264V power input
- IP66 compliant front panel
- VGA/DVI/HDMI/DP input

Specifications

I/O Port	
VGA	1 x VGA
DVI	1 x DVI-D (share with HDMI)
DP	1 x DP
HDMI	1 x HDMI (share with DVI-D)
Audio	1 x Audio line-in phone jack
OSD Control Membrane	OSD at rear side
Power	AC 90~264V power input
Others	1 x USB type B for touch control

Display	
Display Type	32" TFT-LCD
Max. Resolution	1920 x 1080
Max. Color	16.7M
Luminance (cd/m ²)	500
View Angle	178(H) / 178(V)
Contrast	3000:1
Backlight Lifetime	50,000 hrs

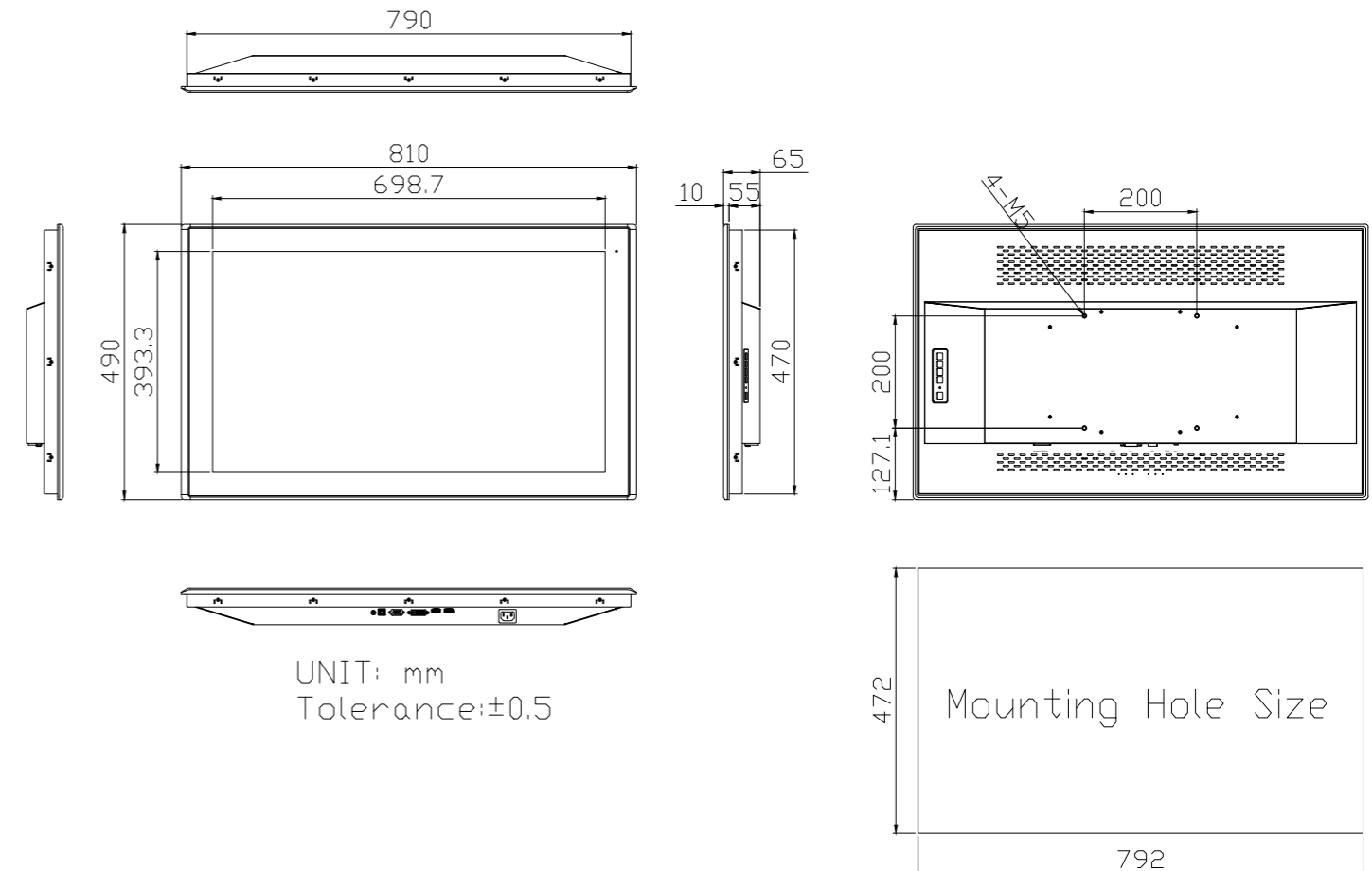
Touch Screen	
Type	Projected Capacitive Touch
Interface	USB
Light Transmission(%)	over 90%

Power	
Power Input	AC 90~264V
Power Consumption	MAX: 47 W

Mechanical	
Construction	Aluminum Front Bezel RAL9007, Steel Chassis RAL-9007
Mounting	Panel Mount / VESA Mount 200 x 200
IP Rating	IP66 Compliant Front Panel
Dimensions (WxHxD)	810 x 490 x 65 mm
Net Weight	16.4 kg

Environmental	
Operating Temperature	0~50°C
Storage Temperature	-30~70°C
Humidity	10 to 95% @ 40°C, non-condensing
Certificate	CE/FCC, Class A

Dimensions



Ordering Information

ARCDIS-132AP

32" FHD FPD Industrial display, Projected Capacitive touch screen, VGA, DVI-D, HDMI, and DP input, 5 keys Rear OSD, AC 90~264V power input with adapter, Aluminum Die-casting Chassis